



**Canadian
Stream
Valve**

ACTUATORS



AT Series Pneumatic Actuator

Product specification: AT52-AT400

Operating stroke: $90^\circ \pm 5^\circ$

Applicable air source: .4-0.7MPa

Air source interface: in accordance with NRMAR standards

Output torque: 0-11000Nm

Acting mode: double-acting, single-acting

Environmental temperature: Standard type $-20^\circ\text{C} \sim +80^\circ\text{C}$

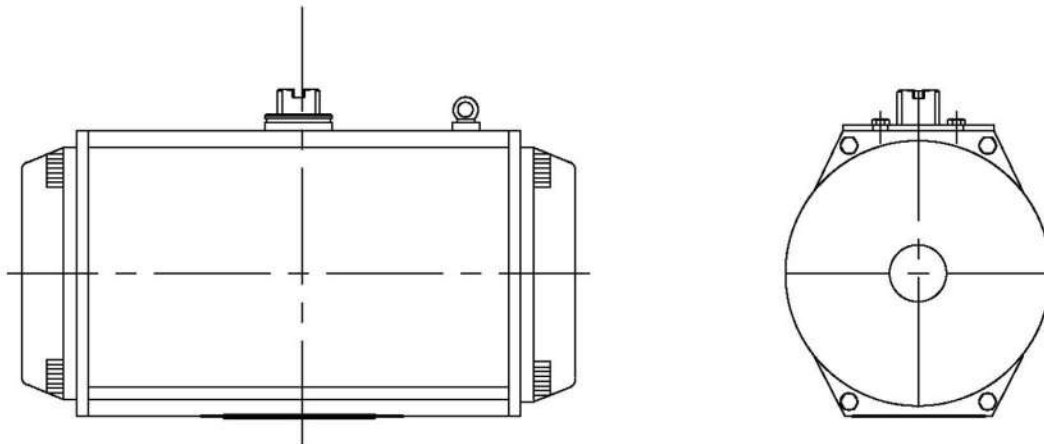
High temperature type $-15^\circ\text{C} \sim +180^\circ\text{C}$

Low temperature type $-50^\circ\text{C} \sim +80^\circ\text{C}$

Please confirm at the time of ordering!

Electromagnetic valve power supply: AC220V or DC24V (also available according to customer requirements)

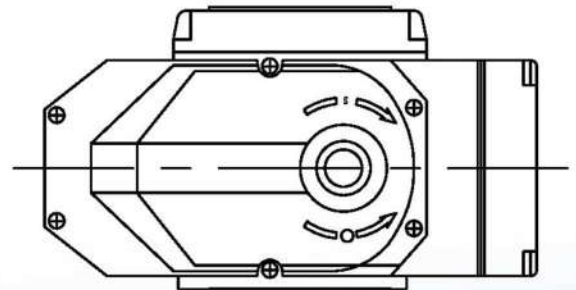
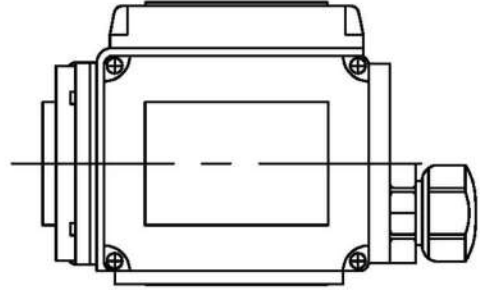
AT Series Pneumatic Actuator is symmetrical structure design of gear rack piston to realize quick smooth motion, high precision and high output power. With adoption of all-in-one design, all double-acting and single-acting actuators have the same cylinder bodies and end covers to facilitate changing acting mode by installing or dismantling springs. Conforming to NUMAR standard, air source connector can be directly installed with NUMAR standard electromagnetic valve. The dimension of connecting to valve meets brand new international standard requirements ISO5211, DIN3337(F05-F30).



Main dimensions

Model	AT52	AT63	AT75	AT88	AT100	AT115	AT125	AT145	AT160	AT180	AT200	AT245	AT265	AT330	AT400
ISO flange	F04	F05	F05-07	F05-07	F07-10	F07-10	F07-10	F10-12	F10-12	F14	F14	F16	F16	F16	F25
L	140.5	158.5	210.5	247.5	268.5	315	345	408.5	437.5	487	543	633	728	860	1050
B	26.5	30	30.5	32.5	38.5	42.5	45	47.5	52	58.5	62.5	78.5	165	-	-
C	20	20	20	20	20	30	30	30	30	50	50	50	50	50	50
ψD	40	40	40	40	40	56	56	65	65	80	80	115	115	115	115
E	59	72	84.5	94.5	111	127	136	156.5	169	190.5	213	251	298.5	371	435
F	69	85	102	115	127	145	157	177	196	220.5	245	298.5	330	405	486
G	29	36	42.5	49.5	56	64	69.5	80	88	99	110	131	163.5	206	245
H	41.5	47	52	56.8	67	77	82	91.5	99	105	112	131	166	207	252
Jmin	12	16	16	19	19	24	24	29	29	38	38	38	48	55	55
A	80	80	80	80	80	80	80	80	80	130	130	130	130	130	130
M	30	30	30	30	30	30	30	30	30	30	30	30	30	30	30
ψ01	42	50	50	50	70	70	70	102	102	140	140	165	165	165	245
ψ0	-	-	70	70	102	102	102	125	125	-	-	-	-	-	-
P1	4-M6	4-M6	4-M6	4-M6	4-M8	4-M8	4-M8	4-M10	4-M10	4-M16	4-M16	4-M20	4-M20	4-M20	8-M16
P	-	-	4-M8	4-M8	4-M10	4-M10	4-M10	4-M12	4-M12	-	-	-	-	-	-
□Q	14	14	14	14	17	M17	22	27	27	36	36	36	46	55	55
V	24	24	24	24	24	24	24	24	24	24	24	40	40	40	40
W	32	32	32	32	32	32	32	32	32	32	32	45	45	45	45
Y	M5 × 8	M5 × 8	M5 × 8	M5 × 8	M5 × 8	M5 × 8	M5 × 8	M5 × 8	M5 × 8	M5 × 8	M5 × 8	M6 × 10	M6 × 10	M6 × 10	M6 × 10
Z	1/8"	1/8"	1/8"	1/8"	1/4"	1/4"	1/4"	1/4"	1/4"	1/4"	1/4"	3/8"	1/2"	1/2"	1/2"

Note: 1. Other specifications and flange standards are available upon request.
 2. Design and specifications are subject to change without prior notice.



Parameters of straight-line installation type

Square	□9 × 9 □14 × 14 □17 × 17
Flange	F05 F07
Stem	Height < 20mm

Product specification: QH50–QH200

Operating stroke: 90° ± 5°

Working stroke: 360° adjustable

Protection level: IP67

Output torque: 50–2500Nm

Motor power supply: DC24V ± 10% AC24V ± 10% AC110V ± 10% 50/60HZ 220V ± 10% 50/60H

Special power requirements need to be communicated and confirmed in advance!

Environmental temperature: -20 °C~+60 °C Special temperature requirements must be confirmed before ordering!

Combined with explosion-proof surface, this actuator has more reliable explosion-proof performance. With protection grade of IP67, it eliminates the disadvantages of traditional explosion-proof products, including low protection grade and poor performance. Adoption of high strength glass sintering technology ensures smoother, more beautiful opening window. Electric limit stroke position makes electric limit adjusting simpler and more accurate. Vertically-installed type ISO5211 installation and valve connection are simpler and more standard. High quality aluminum alloy shell and integral design bring delicate, beautiful appearance.



Product specification:QT1–QT5

Operating stroke:90° ±5°

Protection level: IP67

Output torque:50–2500Nm

Product category:common type,explosion–proof type,regulating type,on–site on/off type,intelligent type

Motor power supply: 110/220V AC 1PH 380/440V AC 3PH 50/60HZ Special power requirements need to be communicated in advance!

Environmental temperature: –30 °C~+70 °C –30 °C~+150 °C Special temperature requirements must be confirmed before ordering!

QT Series Electric Actuator adopts squirrel cage motor with high output torque Transmission mode is worm wheel /rod drive. And output shaft belongs to worm wheel pair drive and can realize self–lock at any position. Actuator shell adopts die–casting aluminum technology and precision machining to ensure small volume, light weight. Its appearance is treated with spraying–plastic technology, with good appearance quality.

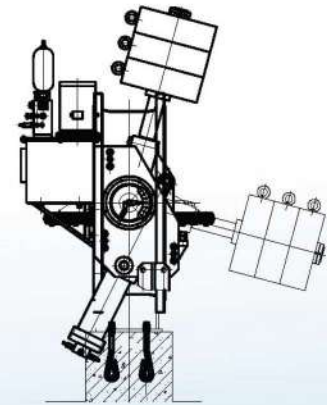
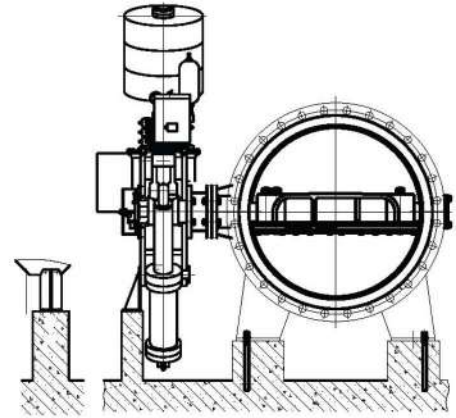
Dimensions(mm)

Model	A1	A2	A3	B	B1	ψD	ψD1	H1	H2	H3	L	L1	L2	N	M
QT1	44	17	336	75	68	102	170	60	256	109	179	62	/	/	/
QT2	49.5	22.5	30	85	77.5	200	200	64	263	113	187	85	76	/	/
QT3	60	33	35	100	77	250	220	70	298	119	202	88	76	125	ψ216
QT4(QT4X)	70	43	38	115	87	250	260	78	342	127	225	106	76	135	ψ258

Flange Dimension

Model	ISO5211 FCODE	ψ d1	ψ d3	ψ d7		ψ d8	T	T1	ψ d	n–d4 DEPTH
				Reserved Dimension	Maximum Permissible					
QT1	F05	65	50	8	22	38	40	43	102	4–M6 depth 12
	F07	90	70	8	22	38	40	43	102	4–M8 depth 14
QT2	F07	90	70	10	25	45	45	49	125	4–M8 depth 15
	F10	125	102	10	25	45	45	49	125	4–M10 depth 18
QT3	F10	125	102	15	35	56	50	53	145	4–M10 depth 18
	F12	150	125	15	35	56	50	53	145	4–M12 depth 20
QT4	F12	150	125	15	42	65	58	62	175	4–M12 depth 20
	F14	175	140	15	42	65	58	62	175	4–M16 depth 24
QT4X	F14	175	140	20	52	82	62	72	/	4–M16 depth 26
	F16	210	165	20	52	82	62	72	/	4–M20 depth 32

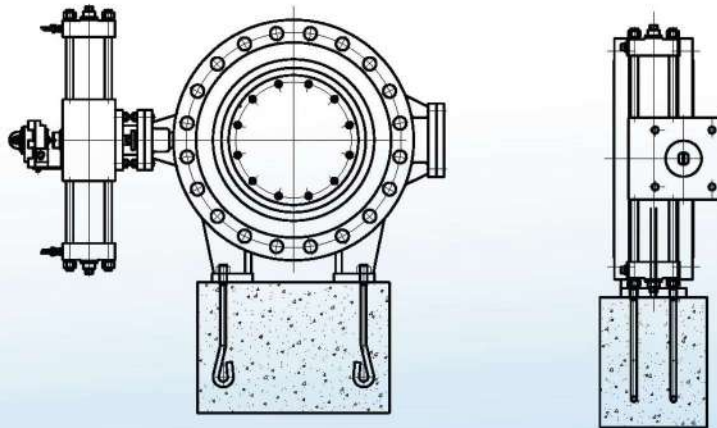
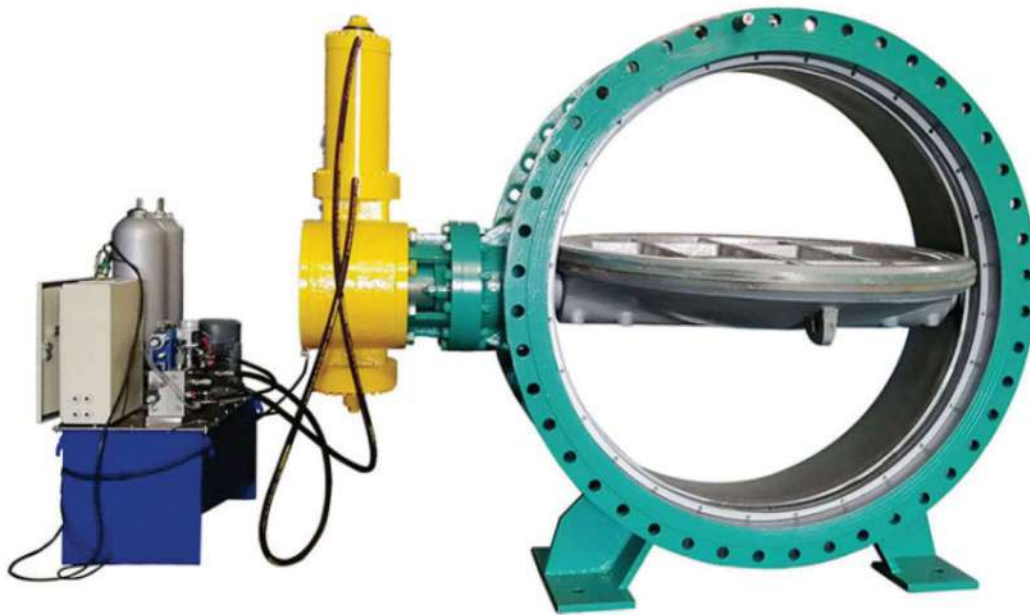
Note:1. Other specifications and flange standards are available upon request.
2. Design and specifications are subject to change without prior notice.



Purpose

It is an advanced pipeline control equipment domestic and overseas at present. It's mainly used in enter port of hydraulic turbine, hydropower station, As the Inlet valve of hydraulic turbine; Or installed in water pump outlet of most kinds of pump stations.

Technical standards		Open-close parameters		Main information	
Design	GB/T14478	Open	5-120S(adjustable)	Size	DN500-DN3200
Hydraulic system	JB/T5299	Quick close	2-30S(adjustable)	Body	Ductile iron
Connection	GB/T9113	Slow close	5-120S(adjustable)	Sisc	Ductile iron
Face to face	GB/T12221	Quick close angle	70 ± 10° (adjustable)	Stem	2Cr13
Test & inspection	GB/T13927	Slow close angle	20 ± 10° (adjustable)	Seat	1Cr18Ni9Ti



Purpose

It is an advanced pipeline control equipment domestic and overseas at present. It's mainly used in enter port of hydraulic turbine, hydropower station, As the Intlet valve of hydraulic turbine; Or installed in water pump outlet of most kinds of pump stations.

Technical standards		Open-close parameters		Main information	
Design	GB/T14478	Open	5-120S(adjustable)	Size	DN500-DN3200
Hydraulic systme	JB/T5299	Quick close	2-30S(adjustable)	Body	Ductile iron
Connection	GB/T9113	Slow close	5-120S(adjustable)	Sisc	Ductile iron
Face to face	GB/T12221	Quick close angle	70 ± 10° (adjustable)	Stem	2Cr13
Test & inspection	GB/T13927	Slow close angle	20 ± 10° (adjustable)	Seat	1Cr18Ni9Ti

Address :

2020 Winston Park Dr,
Oakville, Ontario, Canada

Email : sales@cstreamvalves.com

Telp : +1 (647) 933-7377

www.cstreamvalves.com



**Canadian
Stream
Valve**

Contact Us: