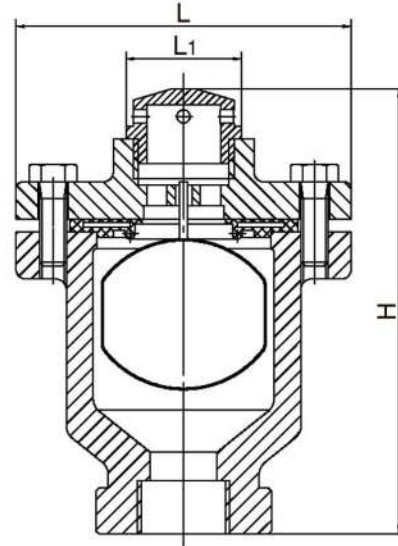




**Canadian
Stream
Valve**

Air Release Valves



Purpose

This valve is suitable for installation in high-rise building, factory, small pumping stations, water distribution, for air discharge tube and improve the systems of water conveyance efficiency and save energy.

Feature

Small in size, easy to install.

Performance parameters

Nominal diameter: DN10~50mm
Nominal pressure: PN1.6 MPa
Suitable temperature: ≤ 80°C
Suitable medium: Water
Connection: Female screwed
Test standard: GB/T 13927

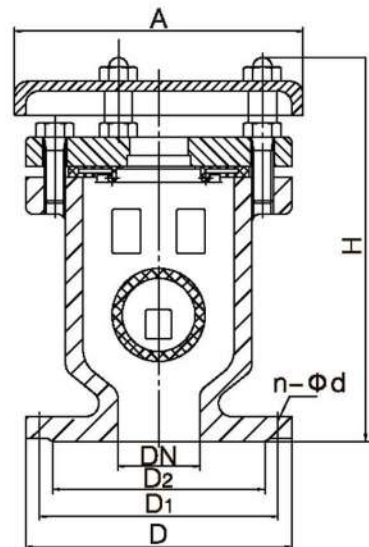
Main part Materials

Bonnet-Cast Iron,
Chock plug-Rubber
Seat/Floating ball-Stainless steel
Body-Cast Iron
Lever-Stainless steel

Main dimensions

DN	ZG	H	L	L1
15	1/2"	145	120	15
20	3/4"	145	120	15
25	1"	150	120	15
32	1 1/4"	155	120	15
40	1 1/2"	155	120	15
50	2"	155	120	15

Note:1. Other specifications and flange standards are available upon request.
2. Design and specifications are subject to change without prior notice.



Purpose

This valve installed on pipe peak or there is breath, is used to eliminate the gas of pipe to pipe functioning as power outages, stop the pump, the valve inlet timely, ensure the security of the pipeline.

Feature

Single opening exhaust valves small in size and light in weight, Row of inspiratory volume.

Performance parameters

Nominal pressure: PN1.6 MPa
Suitable temperature: $\leq 80^{\circ}\text{C}$
Suitable medium: Water

Main part Materials

Bonnet/ Body-Cast Iron, Ductile cast Iron, Stainless steel
Floating ball – Stainless steel

Main dimensions

DN	A	D	D1	D2	b	f	n-Φd	H
50	140	160	125	99	17	3	4-18	230
65	140	180	145	118	17	3	4-18	235
80	140	195	160	132	17	3	8-18	250
100	180	215	180	156	17	3	8-18	255
125	180	245	210	184	18	3	8-18	255
150	180	280	240	211	18	3	8-23	260
200	295	335	290	266	24	3	12-23	300
250	295	405	355	320	24	3	12-28	340
300	295	460	410	370	24	3	12-28	340

Note: 1. Other specifications and flange standards are available upon request.
2. Design and specifications are subject to change without prior notice.

Address :

2020 Winston Park Dr,
Oakville, Ontario, Canada

Email : sales@cstreamvalves.com

Telp : +1 (647) 933-7377

www.cstreamvalves.com



**Canadian
Stream
Valve**

Contact Us: