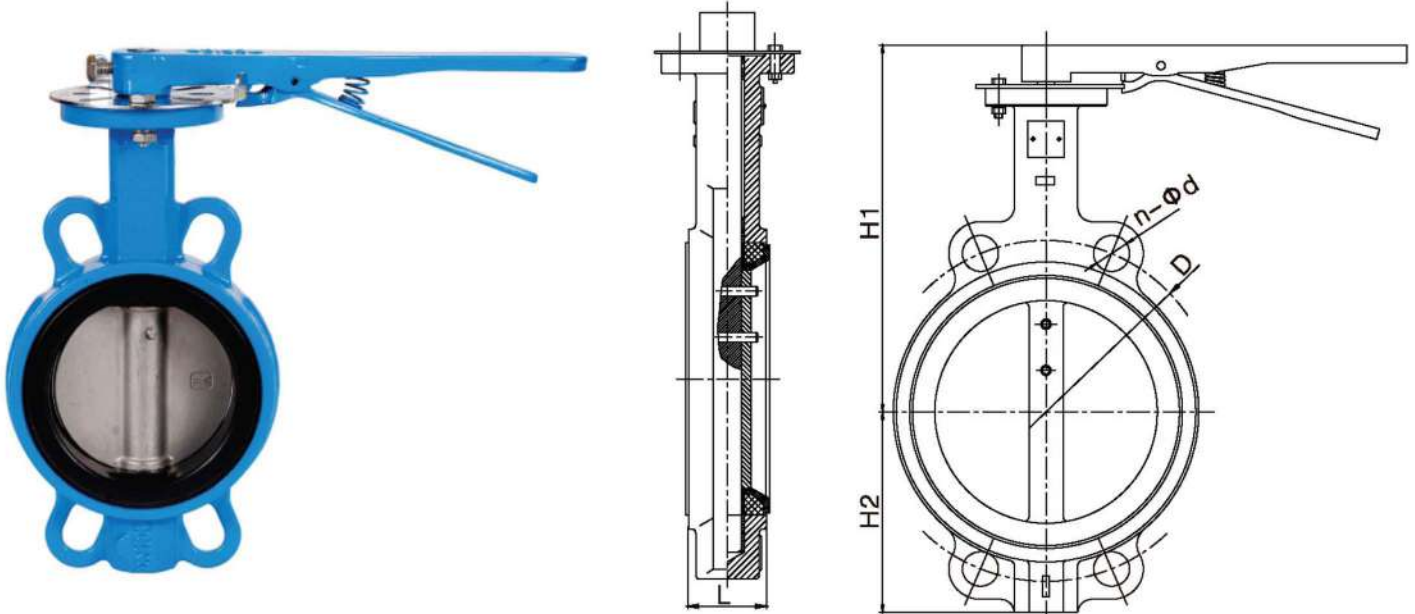




**Canadian
Stream
Valve**

BUTTERFLY VALVES



Purpose

This valve is used as a cutoff and adjusting equipment for the various water supply and drainage pipelines in building, chemical, medicine, textile, ship and other industries.

Performance parameters

Pressure: 1.0MPa, 1.6MPa, 150LB, 5K, 10K

Size: DN40~DN300

Suitable temperature: $\leq 100^{\circ}\text{C}$

Medium: Water, air, oil

Design standard: BS5155, DIN3202, ISO5752

Flange Standard: DIN, BS, UNI, ISO, ANSI, JIS

Top Mounting Flange Standard: ISO5211

Main part materials

Valve stem	SS410/Stainless steel
Butterfly disc	Ductile Iron/ Stainless steel/ C954
Body	Ductile iron/Cast steel / Stainless steel
Sealing material	EPDM/ NBR/PTFE
Handle	Aluminum alloy/iron

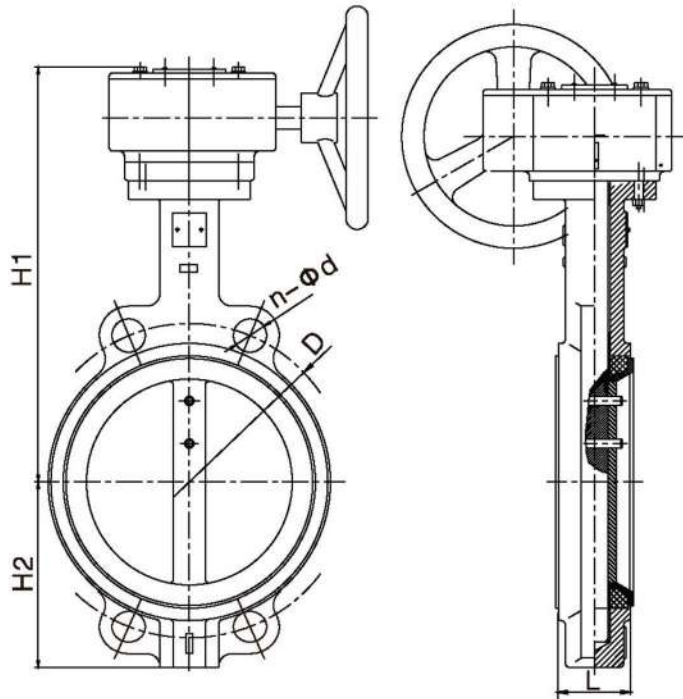
Disc for DN50~DN300 could use Ductile Iron with Epoxy.

Main dimensions

DN	40	50	65	80	100	125	150	200	250	300
L	33	43	46	46	52	56	56	60	68	78
D	110	125	145	160	180	210	240	295	355	410
n-φd	4-19	4-19	4-19	8-19	8-19	8-19	8-23	12-23	12-28	12-28
H1	154	156	167	174	195	208	230	267	305	347
H2	73	75	85	92	109	130	139	173	207	235

Note:1. Other specifications and flange standards are available upon request.

2. Design and specifications are subject to change without prior notice.



Purpose

This valve is used as a cutoff and adjusting equipment for the various water supply and drainage pipelines in building, chemical, medicine, textile, ship and other industries.

Performance parameters

Pressure: 1.0MPa, 1.6MPa, 150LB, 5K, 10K

Size: DN40~DN1200

Suitable temperature: ≤100°C

Medium: Water, air, oil

Design standard: BS5155, DIN3202, ISO5752

Flange Standard: DIN, BS, UNI, ISO, ANSI, JIS

Top Mounting Flange Standard: ISO5211

Main part materials

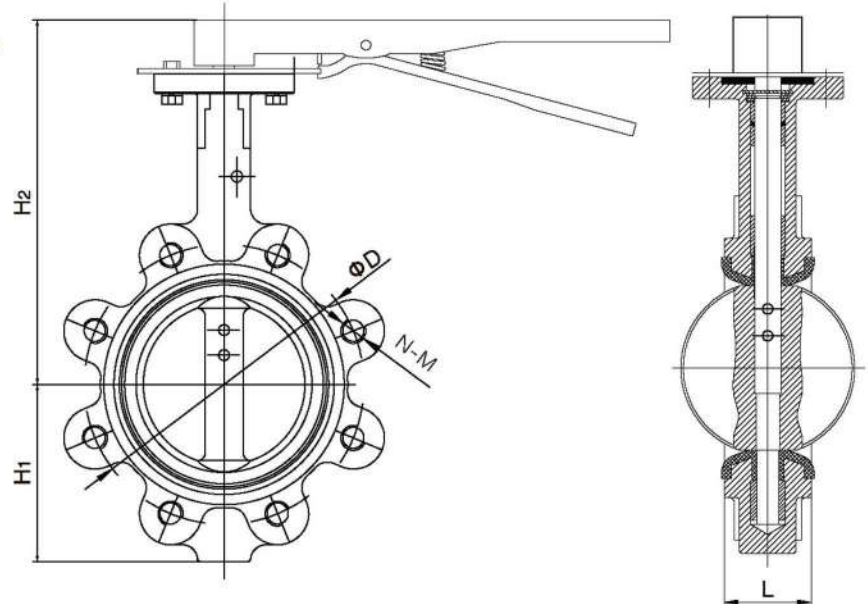
Valve stem	SS410/Stainless steel
Butterfly disc	Ductile Iron/ Stainless steel/ C954
Body	Ductile iron/Cast steel / Stainless steel
Sealing material	EPDM/ NBR/PTFE
Worm gear	Ducitle Iron

Disc for DN50~DN300 could use Ductile Iron with Epoxy.

Main dimensions

DN	40	50	65	80	100	125	150	200	250	300	350	400	450	500	600	700	800	900	1000	1200
L	33	43	46	46	52	56	56	60	68	78	78	90	114	127	154	165	190	203	216	254
D	110	125	145	160	180	210	240	295	355	410	470	525	585	650	770	840	950	1050	1170	1390
n-φd	4-19	4-19	4-19	8-19	8-19	8-19	8-23	12-23	12-28	12-28	16-28	16-31	20-31	20-34	20-37	24-37	24-40	28-40	28-43	32-49
H1	180	182	194	200	227	238	260	304	340	389	530	606	684	766	858	950	980	1000	1045	1190
H2	73	75	85	92	109	130	139	173	207	235	264	308	330	350	410	500	550	610	680	790

Note: 1. Other specifications and flange standards are available upon request.
2. Design and specifications are subject to change without prior notice.



Purpose

This valve is used as a cutoff and adjusting equipment for the various water supply and drainage pipelines in building, chemical, medicine, textile, ship and other industries.

Performance parameters

Pressure: 1.0MPa, 1.6MPa, 150LB, 5K, 10K

Size: DN50~DN300

Suitable temperature: $\leq 100^{\circ}\text{C}$

Medium: Water, air, oil

Design standard: BS5155, DIN3202, ISO5752

Flange Standard: DIN, BS, UNI, ISO, ANSI, JIS

Top Mounting Flange Standard: ISO5211

Main part materials

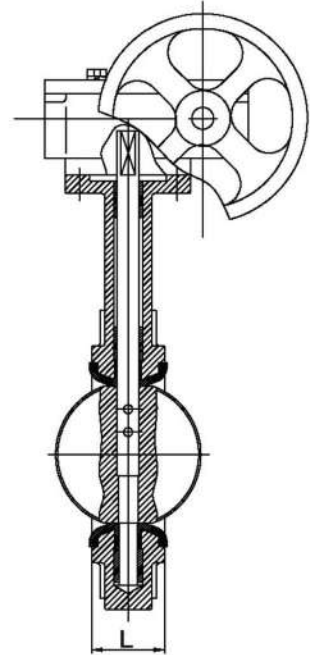
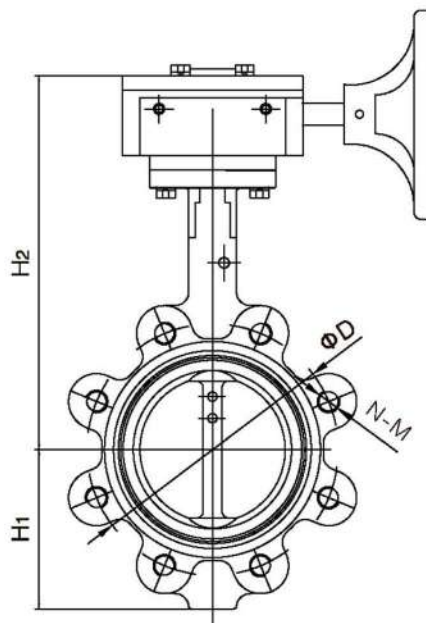
Valve stem	SS410/Stainless steel
Butterfly disc	Ductile Iron/ Stainless steel/ C954
Body	Ductile iron/Cast steel / Stainless steel
Sealing material	EPDM/ NBR/PTFE
Handle	Aluminum alloy/iron

Disc for DN50~DN300 could use Ductile Iron with Epoxy.

Main dimensions

DN	50	65	80	100	125	150	200	250	300
L	43	46	46	52	56	56	60	68	74
D	125	145	160	180	210	240	295	355	410
N-M	4-M16	4-M16	8-M16	8-M16	8-M16	8-M20	12-M20	12-M24	12-M24
H1	70	76	97	114	126	141	170	204	232
H2	173	180	188	208	224	239	272	331	369

Note: 1. Other specifications and flange standards are available upon request.
2. Design and specifications are subject to change without prior notice.



Purpose

This valve is used as a cutoff and adjusting equipment for the various water supply and drainage pipelines in building, chemical, medicine, textile, ship and other industries.

Performance parameters

Pressure: 1.0MPa, 1.6MPa, 150LB, 5K, 10K

Size: DN50~DN1200

Suitable temperature: ≤100°C

Medium: Water, air, oil

Design standard: BS5155, DIN3202, ISO5752

Flange Standard: DIN, BS, UNI, ISO, ANSI, JIS

Top Mounting Flange Standard: ISO5211

Main part materials

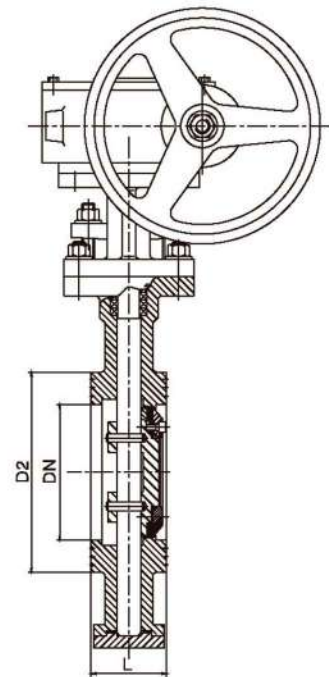
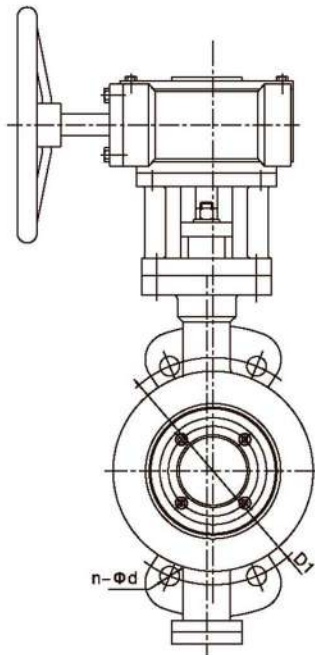
Valve stem	SS410/Stainless steel
Butterfly disc	Ductile Iron/ Stainless steel/ C954
Body	Ductile iron/Cast steel / Stainless steel
Sealing material	EPDM/ NBR/PTFE
Worm gear	Ductile Iron

Disc for DN50~DN300 could use Ductile Iron with Epoxy.

Main dimensions

DN	50	65	80	100	125	150	200	250	300	350	400	450	500	600	700	800	900	1000	1200
D	125	145	160	180	210	240	295	355	410	470	525	585	650	770	840	950	1050	1170	1390
N-M	4-M16	4-M16	8-M16	8-M16	8-M16	8-M20	12-M20	12-M24	12-M24	16-M24	16-M27	20-M27	20-M30	20-M33	24-M33	24-M36	28-M36	28-M39	32-M45
L	43	46	46	52	56	56	60	68	74	78	90	114	127	154	165	190	203	216	254
H1	70	78	90	102	122	150	174	208	240	264	308	330	350	410	500	550	610	680	790
H2	199	207	214	241	255	270	309	366	411	530	606	684	766	858	950	980	1000	1045	1190

Note: 1. Other specifications and flange standards are available upon request.
2. Design and specifications are subject to change without prior notice.



Purpose

This product is used for the water supply and drainage system in tap water, sewage, building, chemicals. Industries, usually used as an open-close equipment.

Performance parameters

Pressure: 1.0MPa, 1.6MPa, 2.5MPa, 150LB, 300LB
 Size: DN50~DN1200
 Strength test: 1.6 Mpa. 2.5Mpa, 150LB, 300LB
 Suitable temperature: $\leq 425^{\circ}\text{C}$
 Medium: Water, steam, oil ect
 Design standard: BS5155, DIN3202, ISO5752
 Flange Standard: DIN, BS, UNI, ISO, ANSI, JIS
 Top Mounting Flange Standard: ISO5211

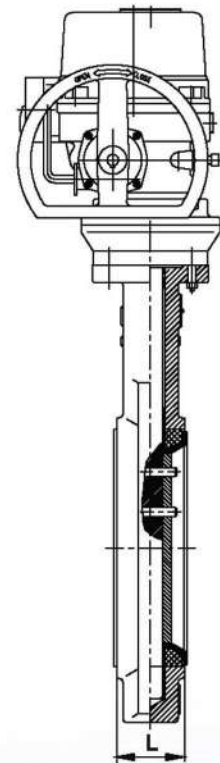
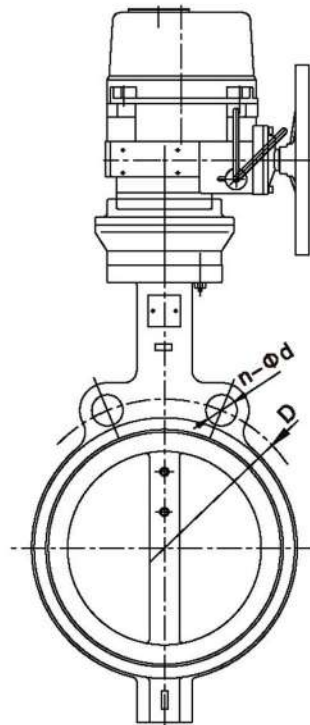
Main part materials

Body	Cast steel, stainless steel
Valve disc	Cast steel, stainless steel
Valve stem	Stainless steel
Sealing ring	Stainless steel+graphite/ PTFE
Packing	Flexible graphite/ PTFE

Main dimensions

DN	50	65	80	100	125	150	200	250	300	350	400	450	500	600	700	800	900	1000	1200
L	43	46	49	56	64	70	71	76	83	92	102	114	127	154	165	190	203	216	254
D1	125	145	160	180	210	240	295	355	410	470	525	585	650	770	840	950	1050	1170	1390
D2	102	122	138	158	188	212	268	320	378	438	490	550	610	725	795	900	1000	1115	1330
n-φd	4-φ18	4-φ18	4-φ18	4-φ18	4-φ18	4-φ22	4-φ22	4-φ26	4-φ26	4-M24	4-M27	4-M27	4-M30	4-M33	4-M33	4-M36	4-M36	4-M39	4-M45

Note: 1. Other specifications and flange standards are available upon request.
 2. Design and specifications are subject to change without prior notice.



Purpose

This valve is used for cutoff or flow adjustment in building, chemical, environmental protection, industrial and mining etc.

Performance parameters

Pressure: 1.0MPa, 1.6MPa, 150LB
 Size: DN40~DN600
 Suitable temperature: ≤80°C
 Medium: Water, air, oil
 Design standard: BS5155, DIN3202, ISO5752
 Flange Standard: DIN, BS, UNI, ISO, ANSI, JIS
 Top Mounting Flange Standard: ISO5211

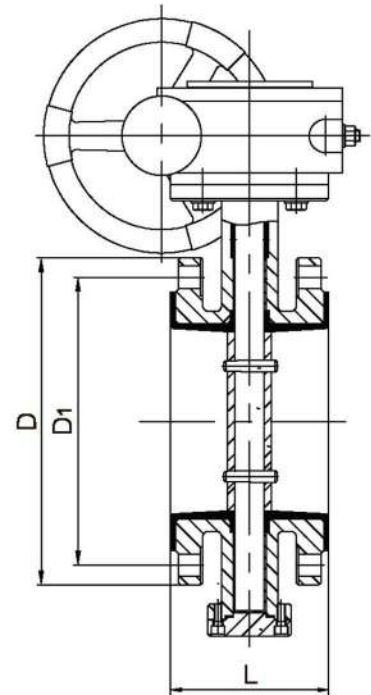
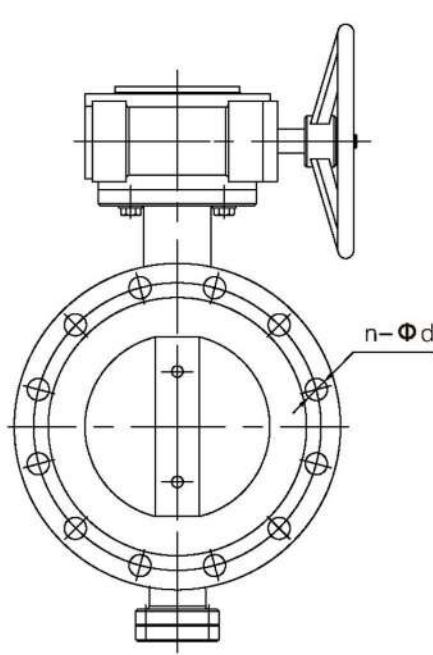
Main part materials

Body	Ductile iron/Cast steel/ Stainless steel
Valve stem	SS410/ Stainless steel
Butterfly Disc	Ductile iron/ Stainless steel/ C954
Sealing material	NBR/EPDM/PTFE

Main dimensions

DN	40	50	65	80	100	125	150	200	250	300	350	400	450	500	600
L	33	43	46	46	52	56	56	60	68	78	78	90	114	127	154
D	110	125	145	160	180	210	240	295	355	410	470	525	585	650	770
n-φd	4-19	4-19	4-19	8-19	8-19	8-19	8-23	12-23	12-28	12-28	16-28	16-31	20-31	20-34	20-37
Model of electric actuator	QT10	QT10	QT10	QT10	QT20	QT20	QT30	QT40	QT60	QT80	QT90	QT100	QT5X	QT5X	QT5X

Note: 1. Other specifications and flange standards are available upon request.
 2. Design and specifications are subject to change without prior notice.



Purpose

This product is used for the water supply and drainage system in tap water, sewage, building, chemical. industries, usually used as an open-close equipment.

Performance parameters

Pressure: 1.0MPa, 1.6MPa, 2.5MPa, 150LB
 Size: DN50~DN2000
 Suitable temperature: ≤80°C
 Medium: Water, air, oil
 Design standard: GB12238-2008, API 609
 Flange Standard: GB/T 9113.1, GB/T 17241.6, ANSI B16.5
 Structural length: GB/T 12221
 Pressure test: GB/T 133927, API 598

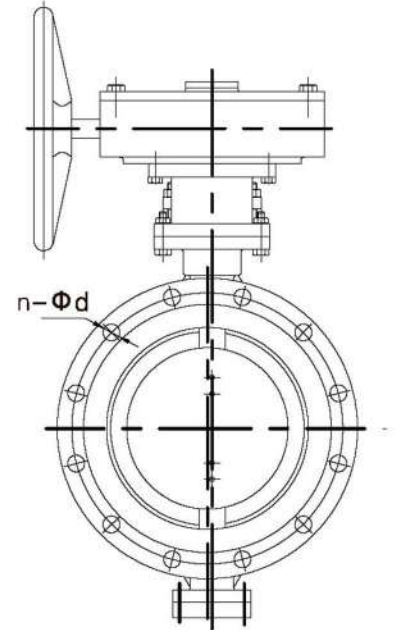
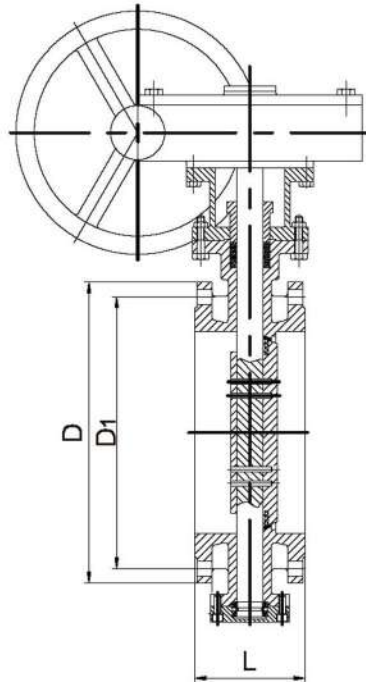
Main part materials

Body	Ductile iron/Cast steel/ Stainless steel/C954
Valve disc	Ductile iron/ Stainless steel/C954
Valve stem	SS410/Stainless steel
Sealing ring	NBR/EPDM/Fluorine rubber
Packing	Flexible graphite/ V-type rubber pad

Main dimensions

DN	50	65	80	100	125	150	200	250	300	350	400	450	500	600	700	800	900	1000	1200	1400	1600	1800	2000		
L	108	112	114	127	140	140	152	165	178	190	216	222	229	267	292	318	330	410	470	530	600	670	760		
D	PN10	165	185	200	220	250	285	340	395	445	505	565	615	670	780	895	1015	1115	1230	1455	1675	1915	2115	2325	
	PN16	165	185	200	220	250	285	340	405	460	520	580	640	715	840	910	1025	1125	1255	1485	1685	1930	2130	2345	
D1	PN10	125	145	160	180	210	240	295	350	400	460	515	565	620	725	840	950	1050	1160	1380	1590	1820	2020	2230	
	PN16	125	145	160	180	210	240	295	355	410	470	525	585	650	770	840	950	1050	1170	1390	1590	1820	2020	2230	
n-Φd	PN10	4-19	4-19	4-19	8-19	8-19	8-19	8-23	8-23	12-23	12-23	12-23	16-28	20-28	20-28	20-31	24-31	24-34	28-34	28-37	32-40	36-43	40-49	44-49	48-49
	PN16	4-19	4-19	8-19	8-19	8-19	8-23	12-23	12-28	12-28	16-28	16-31	20-31	20-34	20-37	24-37	24-40	28-40	28-43	32-49	39-49	40-56	44-56	48-62	

Note: 1. Other specifications and flange standards are available upon request.
 2. Design and specifications are subject to change without prior notice.



Purpose

The butterfly valve is suitable for use in metallurgy, chemical power, municipal engineering and medium such as water, oil and air pipeline, as cutting fluid and adjust medium flow rate, etc.

Performance parameters

Pressure: 1.0MPa, 1.6MPa, 2.5MPa, 150LB
 Size: DN100~DN2000
 Suitable temperature: ≤80°C
 Medium: Water, air, oil
 Design: EN 593
 Flanges: EN 1092-2
 Face to face length: EN 558-1 Series 13
 Inspection and test: EN1074/EN 12266/ ISO5208/ API 598
 Coating: ISO 12944
 Wras certified for drinking water

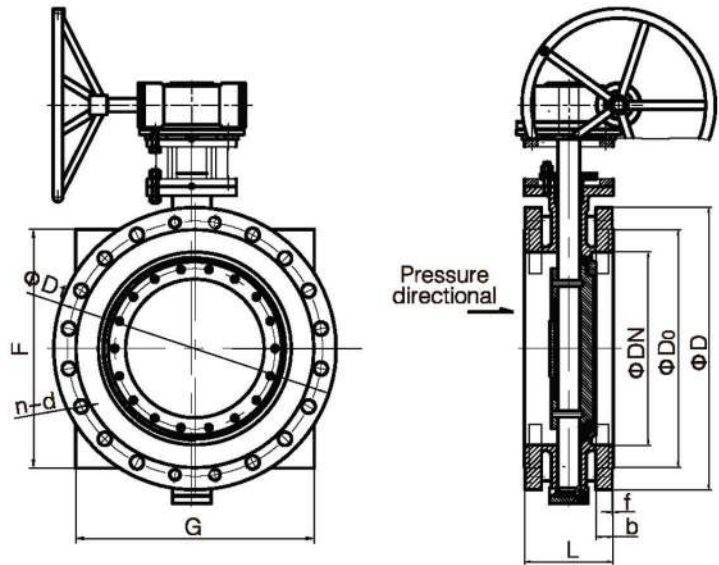
Main part materials

Body	Ductile iron/Cast steel
Valve disc	Ductile iron
Valve stem	Stainless steel
Sealing ring	NBR/EPDM/Fluorine rubber
Packing	Flexible graphite/ V-type rubber pad

Main connecting dimensoins

DN	100	125	150	200	250	300	350	400	450	500	600	700	800	900	1000	1200	1400	1600	1800	2000	
L	127	140	140	152	165	178	190	216	222	229	267	292	318	330	410	470	530	600	670	760	
D	PN10	220	250	285	340	395	445	505	565	615	670	780	895	1015	1115	1230	1455	1675	1915	2115	2325
	PN16	220	250	285	340	405	460	520	580	640	715	840	910	1025	1125	1255	1485	1685	1930	2130	2345
D1	PN10	180	210	240	295	350	400	460	515	565	620	725	840	950	1050	1160	1380	1590	1820	2020	2230
	PN16	180	210	240	295	355	410	470	525	585	650	770	840	950	1050	1170	1390	1590	1820	2020	2230
n-Φd	PN10	8-19	8-19	8-19	8-23	8-23	12-23	12-23	16-28	20-28	20-28	20-31	24-31	24-34	28-34	28-37	32-40	36-43	40-49	44-49	48-49
	PN16	8-19	8-19	8-23	12-23	12-28	12-28	16-28	16-31	20-31	20-34	20-37	24-37	24-40	28-40	28-43	32-49	39-49	40-56	44-56	48-62

Note: 1. Other specifications and flange standards are available upon request.
 2. Design and specifications are subject to change without prior notice.



Purpose

The butterfly valve is suitable for use in metallurgy, chemical power, municipal engineering and medium such as water, oil and air pipeline, as cutting fluid and adjust medium flow rate, etc.

Performance parameters

Pressure: 1.0MPa, 1.6MPa, 2.5MPa, 150LB
 Size: DN200~DN2000
 Suitable temperature: ≤80°C
 Medium: Water, air, oil
 Design: EN 593
 Flanges: EN 1092-2
 Face to face length: EN 558-1 Series 14
 Inspection and test: EN1074/EN 12266/ ISO5208/ API 598
 Coating: ISO 12944
 Wras certified for drinking water

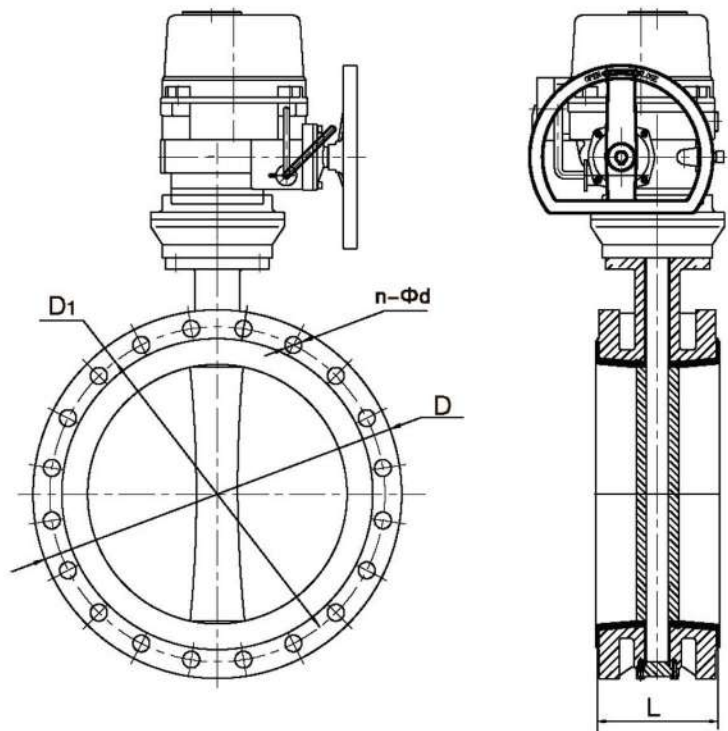
Main part materials

Body	Ductile iron/ Cast steel
Valve disc	Ductile iron
Valve stem	Stainless steel
Sealing ring	NBR/EPDM/ Fluorine rubber
Packing	Flexible graphite/ V-type rubber pad

Main connecting dimensoins

DN	200	250	300	350	400	450	500	600	700	800	900	1000	1200	1400	1600	1800	2000	
L	230	250	270	290	310	330	350	390	430	470	510	550	630	710	790	870	950	
D	PN10	340	395	445	505	565	615	670	780	895	1015	1115	1230	1455	1675	1915	2115	2325
	PN16	340	405	460	520	580	640	715	840	910	1025	1125	1255	1485	1685	1930	2130	2345
D1	PN10	295	350	400	460	515	565	620	725	840	950	1050	1160	1380	1590	1820	2020	2230
	PN16	295	355	410	470	525	585	650	770	840	950	1050	1170	1390	1590	1820	2020	2230
n-φd	PN10	8-23	8-23	12-23	12-23	16-28	20-28	20-28	20-31	24-31	24-34	28-34	28-37	32-40	36-43	40-49	44-49	48-49
	PN16	12-23	12-28	12-28	16-28	16-31	20-31	20-34	20-37	24-37	24-40	28-40	28-43	32-49	39-49	40-56	44-56	48-62

Note: 1. Other specifications and flange standards are available upon request.
 2. Design and specifications are subject to change without prior notice.



Purpose

This product is used for the water supply and drainage system in tap water, sewage, building, chemical. industries, usually used as an open-close equipment.

Performance parameters

Pressure: 1.0MPa, 1.6MPa, 2.5MPa, 150LB
 Size: DN50~DN800
 Suitable temperature: ≤80°C
 Medium: Water, air, oil
 Design standard: GB12238-2008, API 609
 Flanged standard: GB/T 9113.1, GB/T 17241.6, ANSI B16.5
 Structural length: GB/T 12221
 Pressure test: GB/T 13927, API 598

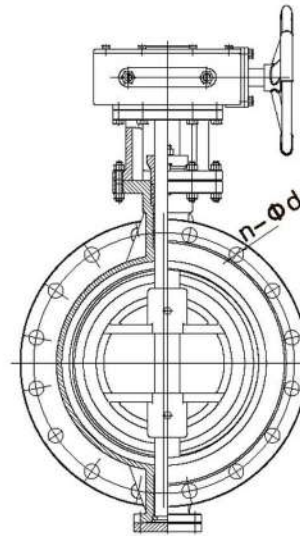
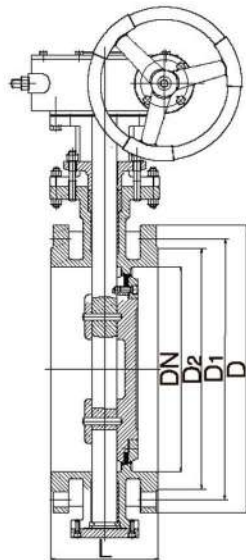
Main part materials

Body	Ductile iron/ Cast steel/ Stainless steel/ C954
Valve disc	Ductile iron/ Cast steel/ Stainless steel
Valve stem	SS410/ Stainless steel
Sealing ring	NBR/EPDM/ Fluorine rubber
Packing	Flexible graphite/ V-type rubber pad

Main connecting dimensoins

DN	50	65	80	100	125	150	200	250	300	350	400	450	500	600	700	800	
L	108	112	114	127	140	140	152	165	178	190	216	222	229	267	292	318	
D	PN10	165	185	200	220	250	285	340	395	445	505	565	615	670	780	895	1015
	PN16	165	185	200	220	250	285	340	405	460	520	580	640	715	840	910	1025
D1	PN10	125	145	160	180	210	240	295	350	400	460	515	565	620	725	840	950
	PN16	125	145	160	180	210	240	295	355	410	470	525	585	650	770	840	950
n-φd	PN10	4-19	4-19	4-19	8-19	8-19	8-19	8-23	8-23	12-23	12-23	16-28	20-28	20-28	20-31	24-31	24-34
	PN16	4-19	4-19	8-19	8-19	8-19	8-23	12-23	12-28	12-28	16-28	16-31	20-31	20-34	20-37	24-37	24-40
Model of electric actuator	Q10	Q10	Q30	Q30	Q30	Q60	Q60	Q60	Q120	Q120	Q200	Q200	Q200	Q500	Q500	Q500	

Note: 1. Other specifications and flange standards are available upon request.
 2. Design and specifications are subject to change without prior notice.



Purpose

Butterfly valve for the petroleum, chemical, food, medicine, metallurgy, shipbuilding, paper, industrial environmental protection, water supply and drainage, on high-level pipeline architecture can be in a variety of corrosive, non-corrosive gases, liquids, fluids and solid powder loaded pipelines and containers for the headstock or adjust the medium flow purposes.

Executive standard

Flanged connection dimension: GB/T 9113.1, GB/T 17241.6, ANSI B16.5
Structure length: GB/T 12221, ASME B16.10
Pressure test: GB/T 13927, API 598

Performance parameters

DN(mm) Nominal diameter		50~2000		
PN(MPa) Nominal pressure		1.0	2.5	150LB
Testing pressure	Shell	1.5	3.75	4.0
	Sealing	1.1	2.75	3.0
Working temperature(°C)		-40~570		
Suitable mediums		Water, sea water, air, oils, acids alkali etc.		

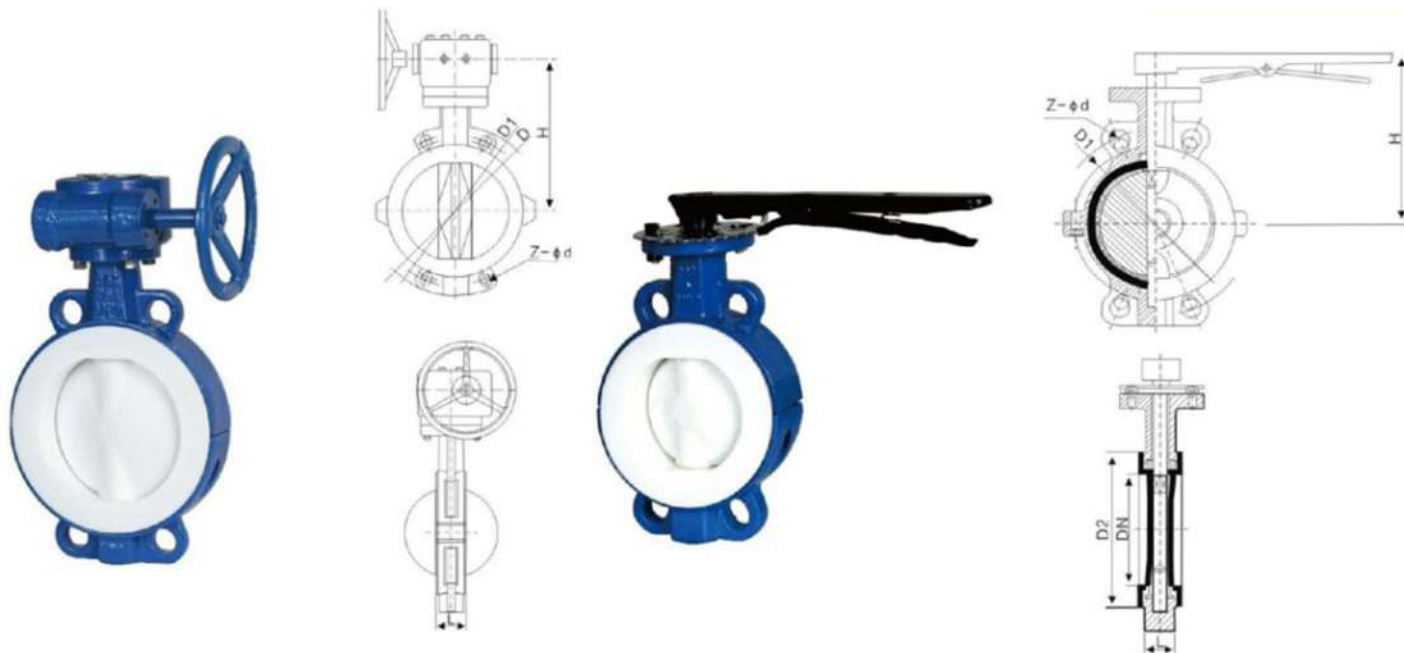
Main part materials

Body	Cast steel/ Stainless steel
Valve disc	Cast steel/ Stainless steel
Stem	Stainless steel
Sealing ring	Stainless steel+graphite
Packing	Flexible graphite

Main connecting dimensions

DN	L	Flanged Size and Bolting Specification							
		1.6Mpa				2.5MPa			
		D	D1	D2	n-φd	D	D1	D2	n-φd
50	108	165	125	102	4-φ18	165	125	102	4-φ18
65	112	185	145	122	8-φ18	185	145	120	8-φ18
80	114	200	160	138	8-φ18	200	160	135	8-φ18
100	127	220	180	158	8-φ18	235	190	160	8-φ22
125	140	250	210	188	8-φ18	270	220	188	8-φ26
150	140	285	240	212	8-φ22	300	250	218	8-φ26
200	152	340	295	268	12-φ22	360	310	278	12-φ26
250	165	405	355	320	12-φ26	425	370	335	12-φ30
300	178	460	410	378	12-φ26	485	430	395	16-φ30
350	190	520	470	438	16-φ26	555	490	450	16-φ33
400	216	580	525	490	16-φ30	620	550	505	16-φ36
450	222	640	585	550	20-φ30	670	600	555	20-φ36
500	229	715	650	610	20-φ33	730	660	615	20-φ36
600	267	840	770	725	20-φ36	845	770	720	20-φ39
700	292	910	840	795	24-φ36	960	875	820	24-φ42
800	318	1025	950	900	24-φ39	1085	990	930	24-φ48
900	330	1125	1050	1000	28-φ39	1185	1090	1030	28-φ48
1000	410	1255	1170	1115	28-φ42	1320	1210	1140	28-φ56
1200	470	1485	1390	1330	32-φ48	1530	1420	1350	32-φ56
1400	530	1685	1590	1530	36-φ48	1755	1640	1560	36-φ62
1600	600	1930	1820	1750	40-φ56	1975	1860	1780	40-φ62
1800	670	2130	2020	1950	44-φ56	2195	2070	1985	44-φ70
2000	760	2345	2230	2150	48-φ62	2425	2300	2210	48-φ70

Note: 1. Other specifications and flange standards are available upon request.
2. Design and specifications are subject to change without prior notice.



Purpose

This valve is used as a cutoff and adjusting equipment for the various water supply and drainage pipelines in building, chemical, medicine, textile, ship and other industries

Performance parameters

Pressure: 1.0MPa, 1.6MPa, 150LB, 5K, 10K
 Size: DN40~DN1200
 Suitable temperature $\leq 120^{\circ}\text{C}$
 Medium: Water, air, oil
 Design standard: GB12238
 Flange Standard: GB12221
 Top Mounting Flange Standard: JB/T79/94, GB9113.1-26

Main part materials

Valve stem	SS410/Stainless steel
Butterfly disc	Cast steel/ Stainless steel Full Lined PTFE
Body	Ductile iron/Cast steel / Stainless steel
Sealing material	PTFE
Handle	Aluminum alloy/iron

Main dimensions(mm)

DN	L	D	D1	D2	Z-φd	H	Weight	D	D1	D2	Z-φd	H	Weight
40	33	150	110	85	4-18	140	2.3	150	110	85	4-18	140	5
50	43	165	125	100	4-18	140	2.7	165	125	200	4-18	140	5.8
65	46	180	145	120	4-18	150	3.5	185	145	120	4-18	150	6.7
80	46	200	160	135	4-18	165	4.7	200	160	135	8-18	165	7.5
100	52	220	180	155	4-18	180	6.5	220	180	155	8-18	180	8.8
125	56	250	210	185	4-18	200	8	250	210	185	8-18	200	11
150	56	285	240	210	8-23	220	10	285	240	210	8-23	220	15
200	60	340	295	265	8-23	270	17	340	395	265	12-27	270	24
250	68	395	350	320	12-23	320	-	406	355	320	12-27	320	34
300	78	445	400	370	12-23	330	-	460	410	370	12-27	330	44
350	78	505	460	430	16-23	385	-	520	470	430	16-27	385	86
400	102	565	515	480	16-23	430	-	580	525	480	16-30	430	128
450	114	615	565	560	20-26	480	-	640	585	550	20-30	480	159
500	127	670	620	580	20-26	540	-	715	650	610	20-33	540	190
600	154	780	725	680	20-30	610	-	840	770	720	20-36	610	235
700	165	895	840	795	24-33	650	-	910	840	759	24-36	650	335
800	190	1015	950	900	24-33	710	-	1025	950	900	24-39	740	425
900	203	1115	1050	1050	28-33	780	-	1125	1050	1000	28-39	780	500
1000	213	1230	1160	1115	28-36	900	-	1255	1170	1110	28-42	900	705
1200	254	1455	1380	1380	32-39	1050	-	1485	1390	1330	32-48	1050	880

Note: 1. Other specifications and flange standards are available upon request.
 2. Design and specifications are subject to change without prior notice.

Address :

2020 Winston Park Dr,
Oakville, Ontario, Canada

Email : sales@cstreamvalves.com

Telp : +1 (647) 933-7377

www.cstreamvalves.com



**Canadian
Stream
Valve**

Contact Us: