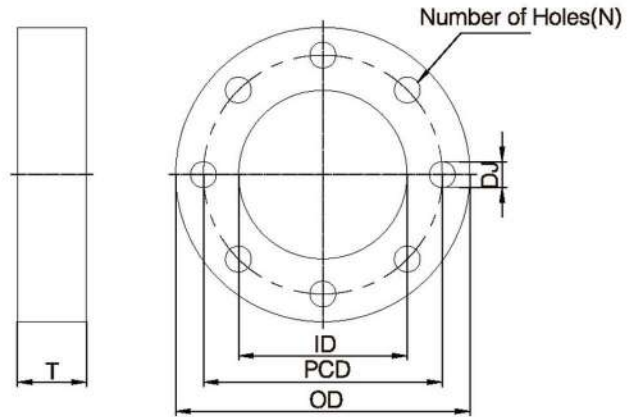




**Canadian
Stream
Valve**

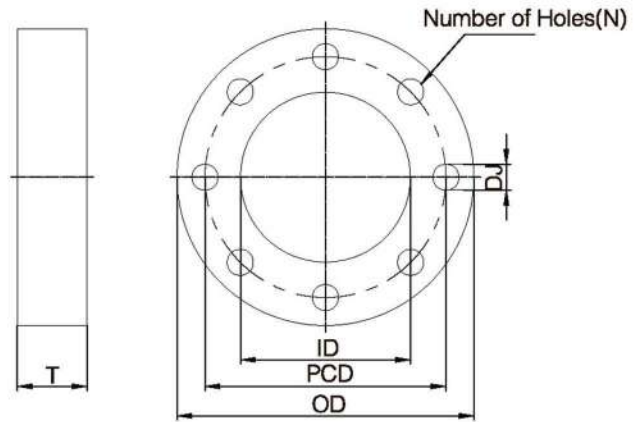
CARBON STEEL FLANGES



Main dimensions

| Size | F.G THK(TA) (mm) | OD (mm) | PCD (mm) | ID (mm) | Hole (N)*(DJ) | Unit Weight (KGS) |
|--------|------------------|---------|----------|---------|---------------|-------------------|
| 1/2" | 13.5 | 89 | 60.5 | 22 | 4 × 16mm | 0.53 |
| 3/4" | 13.5 | 98 | 70 | 28 | 4 × 16mm | 0.66 |
| 1" | 16.5 | 108 | 79.5 | 35 | 4 × 16mm | 0.96 |
| 1 1/4" | 16.5 | 118 | 89 | 44 | 4 × 16mm | 1.11 |
| 1 1/2" | 16.5 | 127 | 98.5 | 49 | 4 × 16mm | 1.29 |
| 2" | 16.5 | 152 | 120.5 | 61 | 4 × 19mm | 1.82 |
| 2 1/2" | 18.5 | 178 | 139.5 | 77 | 4 × 19mm | 2.77 |
| 3" | 18.5 | 191 | 152.5 | 90 | 4 × 19mm | 3.03 |
| 4" | 18.5 | 229 | 190.5 | 116 | 8 × 19mm | 4.09 |
| 5" | 20.5 | 254 | 216 | 143 | 8 × 23mm | 5.03 |
| 6" | 20.5 | 279 | 241.5 | 171 | 8 × 23mm | 5.61 |
| 8" | 20.5 | 343 | 298.5 | 222 | 8 × 23mm | 8.11 |
| 10" | 20.5 | 406 | 362 | 276 | 12 × 25mm | 10.25 |
| 12" | 23.5 | 483 | 432 | 327 | 12 × 25mm | 17.12 |
| 14" | 23.5 | 533 | 477 | 359 | 12 × 28mm | 20.93 |
| 16" | 23.5 | 597 | 540 | 412 | 16 × 28mm | 25.25 |
| 18" | 26.5 | 635 | 578 | 463 | 16 × 32mm | 28.41 |
| 20" | 26.5 | 699 | 635 | 514 | 20 × 32mm | 33.42 |
| 24" | 26.5 | 813 | 749.5 | 616 | 20 × 34mm | 41.95 |

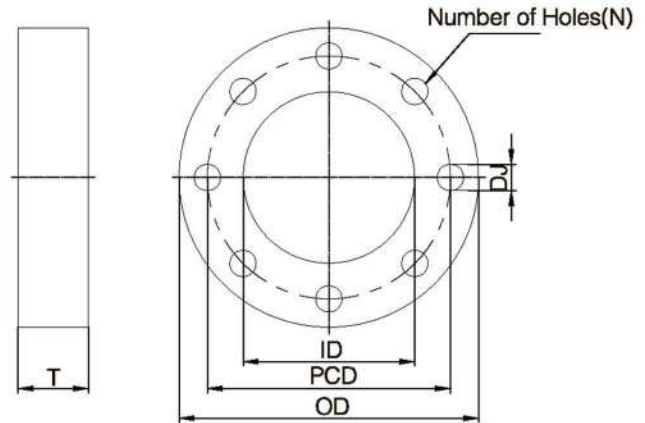
Note:1. Other specifications and flange standards are available upon request.
 2. Design and specifications are subject to change without prior notice.



Main dimensions

| Size | F.G THK(TA) (mm) | OD (mm) | PCD (mm) | ID (mm) | Hole (N)*(DJ) | Unit Weight (KGS) |
|--------|------------------|---------|----------|---------|---------------|-------------------|
| 1/2" | 13.5 | 95 | 70 | 22 | 4 × 15mm | 0.64 |
| 3/4" | 13.5 | 100 | 75 | 28 | 4 × 15mm | 0.69 |
| 1" | 13.5 | 125 | 90 | 35 | 4 × 19mm | 1.08 |
| 1 1/4" | 13.5 | 135 | 100 | 44 | 4 × 19mm | 1.24 |
| 1 1/2" | 13.5 | 140 | 105 | 49 | 4 × 19mm | 1.31 |
| 2" | 13.5 | 155 | 120 | 61 | 4 × 19mm | 1.57 |
| 2 1/2" | 13.5 | 175 | 140 | 77 | 4 × 19mm | 1.94 |
| 3" | 13.5 | 185 | 150 | 90 | 8 × 19mm | 1.94 |
| 4" | 16.5 | 210 | 175 | 116 | 8 × 19mm | 2.83 |
| 5" | 16.5 | 250 | 210 | 143 | 8 × 23mm | 3.85 |
| 6" | 16.5 | 280 | 240 | 171 | 8 × 23mm | 4.57 |
| 8" | 16.5 | 330 | 290 | 222 | 12 × 23mm | 5.42 |
| 10" | 20.5 | 400 | 355 | 276 | 12 × 25mm | 9.65 |
| 12" | 20.5 | 445 | 400 | 327 | 16 × 25mm | 10.26 |
| 14" | 23.5 | 490 | 445 | 359 | 16 × 25mm | 14.47 |
| 16" | 23.5 | 560 | 510 | 412 | 16 × 28mm | 19.04 |
| 18" | 26.5 | 620 | 565 | 463 | 20 × 28mm | 25.24 |
| 20" | 26.5 | 675 | 620 | 514 | 20 × 28mm | 28.74 |
| 24" | 26.5 | 795 | 730 | 616 | 20 × 33mm | 37.76 |

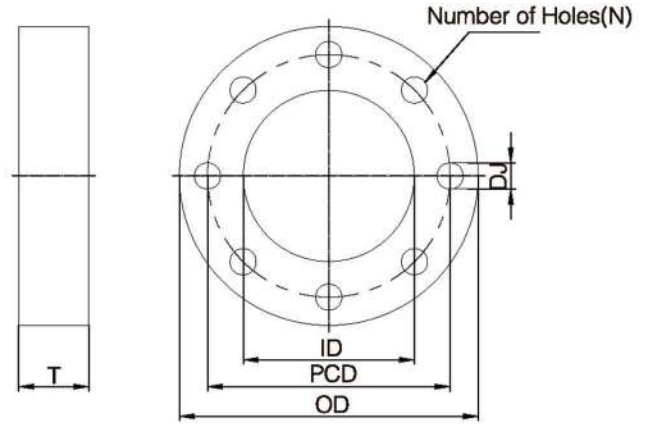
Note: 1. Other specifications and flange standards are available upon request.
 2. Design and specifications are subject to change without prior notice.



Main dimensions

| Size | F.G THK(TA) (mm) | OD (mm) | PCD (mm) | ID (mm) | Hole (N)*(DJ) | Unit Weight (KGS) |
|--------|------------------|---------|----------|---------|---------------|-------------------|
| 1/2" | 13.5 | 95 | 65 | 22 | 4 × 15mm | 0.64 |
| 3/4" | 13.5 | 105 | 75 | 28 | 4 × 15mm | 0.78 |
| 1" | 13.5 | 115 | 85 | 35 | 4 × 15mm | 0.92 |
| 1 1/4" | 13.5 | 140 | 100 | 44 | 4 × 15mm | 1.37 |
| 1 1/2" | 13.5 | 150 | 110 | 49 | 4 × 15mm | 1.57 |
| 2" | 13.5 | 165 | 125 | 61 | 4 × 15mm | 1.85 |
| 2 1/2" | 13.5 | 185 | 145 | 77 | 4 × 15mm | 2.73 |
| 3" | 13.5 | 200 | 160 | 90 | 8 × 19mm | 2.95 |
| 4" | 16.5 | 220 | 180 | 116 | 8 × 19mm | 3.26 |
| 5" | 16.5 | 250 | 210 | 143 | 8 × 19mm | 4.47 |
| 6" | 16.5 | 285 | 240 | 171 | 8 × 23mm | 6.04 |
| 8" | 16.5 | 340 | 295 | 222 | 8 × 23mm | 7.59 |
| 10" | 20.5 | 395 | 350 | 276 | 12 × 23mm | 10.16 |
| 12" | 20.5 | 445 | 400 | 327 | 12 × 23mm | 14.09 |
| 14" | 23.5 | 505 | 460 | 359 | 16 × 23mm | 18.86 |
| 16" | 23.5 | 565 | 515 | 411 | 16 × 26mm | 22.08 |
| 18" | 26.5 | 615 | 565 | 462 | 20 × 26mm | 28.98 |
| 20" | 26.5 | 670 | 620 | 514 | 20 × 26mm | 37.45 |
| 24" | 26.5 | 780 | 725 | 616 | 20 × 30mm | 48.95 |

Note: 1. Other specifications and flange standards are available upon request.
 2. Design and specifications are subject to change without prior notice.



Main dimensions

| Size | F.G THK(TA) (mm) | OD (mm) | PCD (mm) | ID (mm) | Hole (N)*(DJ) | Unit Weight (KGS) |
|--------|------------------|---------|----------|---------|---------------|-------------------|
| 1/2" | 13.5 | 95 | 65 | 22 | 4 × 15mm | 0.64 |
| 3/4" | 13.5 | 105 | 75 | 28 | 4 × 15mm | 0.78 |
| 1" | 13.5 | 115 | 85 | 35 | 4 × 15mm | 0.92 |
| 1 1/4" | 13.5 | 140 | 100 | 44 | 4 × 15mm | 1.37 |
| 1 1/2" | 13.5 | 150 | 110 | 49 | 4 × 15mm | 1.57 |
| 2" | 13.5 | 165 | 125 | 61 | 4 × 15mm | 1.85 |
| 2 1/2" | 13.5 | 185 | 145 | 77 | 4 × 15mm | 2.73 |
| 3" | 13.5 | 200 | 160 | 90 | 8 × 19mm | 2.95 |
| 4" | 16.5 | 220 | 180 | 116 | 8 × 19mm | 3.26 |
| 5" | 16.5 | 250 | 210 | 143 | 8 × 19mm | 4.47 |
| 6" | 16.5 | 285 | 240 | 171 | 8 × 23mm | 6.04 |
| 8" | 16.5 | 340 | 295 | 222 | 12 × 23mm | 7.59 |
| 10" | 20.5 | 405 | 355 | 276 | 12 × 26mm | 10.16 |
| 12" | 20.5 | 460 | 410 | 327 | 12 × 26mm | 14.09 |
| 14" | 23.5 | 520 | 470 | 359 | 16 × 26mm | 18.86 |
| 16" | 23.5 | 580 | 525 | 411 | 16 × 30mm | 22.08 |
| 18" | 26.5 | 640 | 585 | 462 | 20 × 30mm | 28.98 |
| 20" | 26.5 | 715 | 650 | 514 | 20 × 33mm | 37.45 |
| 24" | 26.5 | 840 | 770 | 616 | 20 × 36mm | 48.95 |

Note: 1. Other specifications and flange standards are available upon request.
 2. Design and specifications are subject to change without prior notice.

Address :

2020 Winston Park Dr,
Oakville, Ontario, Canada

Email : sales@cstreamvalves.com

Telp : +1 (647) 933-7377

www.cstreamvalves.com



**Canadian
Stream
Valve**

Contact Us: