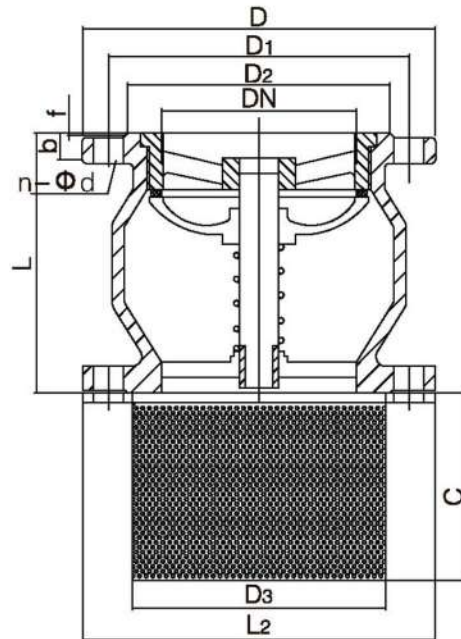




**Canadian  
Stream  
Valve**

# **FOOT VALVE AND STRAINER**



### Performance parameters

Size: DN50~DN600  
 Pressure: 1.6MPa  
 Working temperature:  $\leq 80^{\circ}\text{C}$   
 Suitable medium: Water  
 Size of flange: GB/T 17241.6  
 Test and inspection standard: GB/T 13927

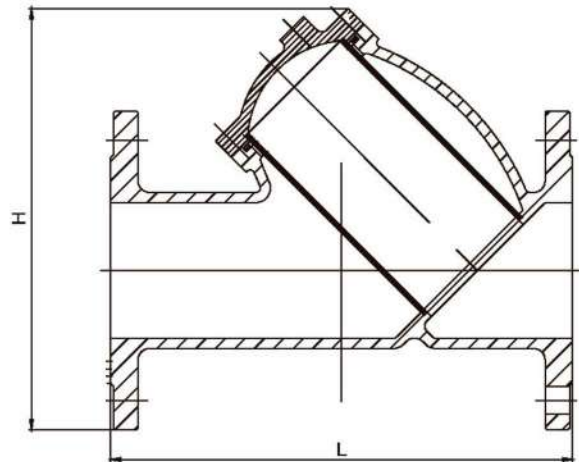
### Materials

No	Description	Material
1	Body	GGG50
2	Seat	Ductile iron+EPDM
3	Disc	Ductile iron
4	Stem	2Cd3
5	Spring	ss
6	Locating Sleeve	WCB
7	Filter	SS304

### Dimensions(mm)

DN	D	D1	D2	b	f	n-Φd	L	C	D3	L2
50	159	125	100	15	3	4-18	125	78	60	156
65	180	145	118	16	3	4-18	145	104	74	176
80	193	160	132	17	3	8-18	155	120	93	192
100	214	180	156	20	3	8-18	165	150	111	212
125	245	210	184	20	3	8-18	178	175	198	242
150	277	240	211	22	3	8-23	210	200	162	275
200	333	295	266	24	3	12-23	250	250	224	332

Note: 1. Other specifications and flange standards are available upon request.  
 2. Design and specifications are subject to change without prior notice.



**Purpose**

This product is mainly set on various water supply and drainage or steam and gas pipelines and used to protect other piping or valve from getting damaged by the fragments and impurities in the system.

**Main part materials**

Title	Material	
Body	Ductile iron/Grey cast iron/Copper alloy	PN2.5 Cast steel
Filtering screen	Stainless steel	
Bonnet	Ductile iron/Grey cast iron/Copper alloy	PN2.5 Cast steel
Seal ring	Silicon/Fluorine Rubber	

**Performance parameters**

Size: DN50~DN600  
Pressure: 1.0MPa, 1.6MPa, 2.5MPa

Working temperature:  $\leq 80^{\circ}\text{C}$   
Suitable medium: Water, steam, air  
According to manufacturer

**Main dimensions**

GB	DN	50	65	80	100	125	150	200	250	300	350	400	450	500	600
	L	203	219	246	297	315	350	415	520	597	690	775	840	925	1025
	H	106	132	153	164	171	215	285	344	400	500	555	582	675	815

**Performance parameters**

Size: DN15~DN300  
Pressure: 1.0MPa, 1.6MPa, 2.5MPa

Working temperature:  $\leq 80^{\circ}\text{C}$   
Suitable medium: Water, steam, air  
Face to face dimensions Conforms to DIN 3202F1

Flanges drilled conforms to DIN 2501

**Main dimensions**

DIN	DN	15	20	25	32	40	50	65	80	100	125	150	200	250	300
	L	130	150	160	180	200	230	290	310	350	400	480	600	730	850
	H	75	75	88	88	100	113	130	157	187	219	278	349	435	520

Note: 1. Other specifications and flange standards are available upon request.  
2. Design and specifications are subject to change without prior notice.

**Address :**

2020 Winston Park Dr,  
Oakville, Ontario, Canada

Email : [sales@cstreamvalves.com](mailto:sales@cstreamvalves.com)

Telp : +1 (647) 933-7377

[www.cstreamvalves.com](http://www.cstreamvalves.com)



**Canadian  
Stream  
Valve**

**Contact Us:**