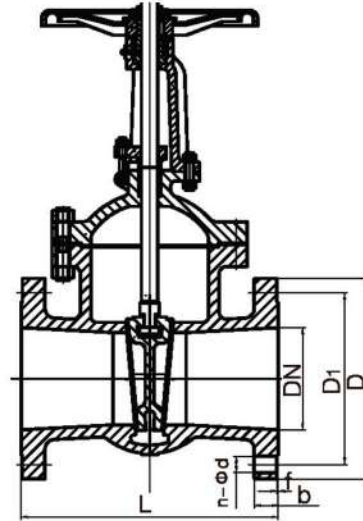




**Canadian
Stream
Valve**

**GATE VALVE, GLOBE VALVE, CHECK VALVE
CARBON STEEL & STAINLESS STEEL**

www.cstreamvalves.com



Executive standard

- 1、 Design and manufacture standard: GB/T12235
- 2、 Flange standard: GB/T9113、 JB/T79、 HG20592、 HG20615
- 3、 Test and inspection: JB/T9092

Performance standard

Size	15~400		mm
Pressure	1.6	2.5	MPa
Strength test	2.4	3.75	
Sealing test	1.76	2.75	
Suitable temperature	≤425°C		
Medium	Water, air, oil, acid and alkali corrosive medium, etc		

Purpose

This product is used for Oil, water, and steam pipeline in petroleum, chemicals and energy field, usually used as an open-close equipment for connecting or truncating pipeline medium.

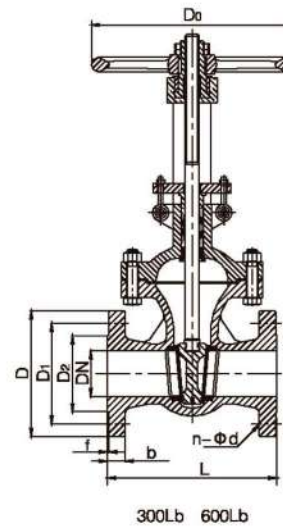
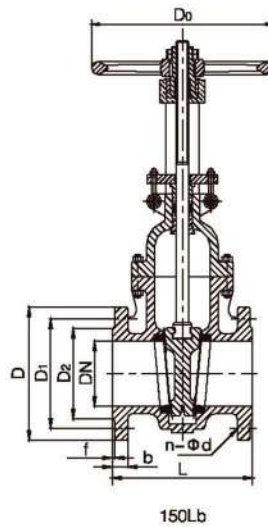
Main parts material

Title of part	Material
Body/Bonnet/Disc	Carbon steel、 Stainless steel
Stem	Stainless steel
Sealing face	Stainless steel、 Alloy steel
Stem nut	Aluminum bronze
Packing	PTFE、 Flexible graphite
Handwheel	Malleable iron、 Ductile iron

Main dimensions

DN	1.6MPa				2.5MPa			
	L	D	D1	n-Φd	L	D	D1	n-Φd
50	250	165	125	4-18	250	165	125	4-18
65	265	185	145	4-18	265	185	145	4-18
80	280	200	160	8-18	280	200	160	8-18
100	300	220	180	8-18	300	235	190	8-18
125	325	250	210	8-18	325	270	220	8-18
150	350	285	240	8-22	350	300	250	8-26
200	400	340	295	12-22	400	360	310	12-26
250	450	405	355	12-26	450	425	370	12-26
300	500	460	410	12-26	500	485	430	12-26

Note: 1. Other specifications and flange standards are available upon request.
 2. Design and specifications are subject to change without prior notice.



Purpose

This valve is mainly used for connected or truncation pipeline medium, can not be used to do adjustment, throttling and applicable medium: water, oil, steam, acid medium etc.

Performance parameters

Design standard: ANSI 16.34
 Flange standard: ANIS 16.5
 Structural length: ANSI 16.10
 Test standard: API 598

Performance range

Class	150Lb	300Lb	600Lb	900Lb	1500Lb	2500Lb	MPa
Strength test	3.0	7.5	15.6	23.25	36	64.5	
Sealing test	2.2	5.5	11.04	17.05	28.6	47.3	
Air-sealing test	0.6						
Suitable temperature	≤425°C						
Medium	Water, Steam, Oil goods						

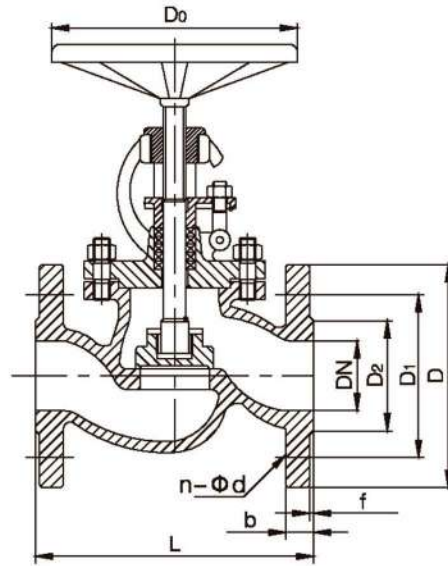
Main part materials

Title of part	Material						
Body/Bonnet/Gate	WCB	WC6	WC9	CF8	CF8M	CF3	CF3M
Stem	F6a	Cr-Mo-V steel	Cr-Mo-V steel	F304	F316	F304L	F316L
Sealing surface	13Cr/13Cr、 HF/HF	HF/HF	HF/HF	304/304、 HF/304	316/316、 HF/316	304L/304L、 HF/304L	316L/316L、 HF/316L
Packing	PTFE、Flexible graphite						
Handwheel	Ductile iron						

Main dimension

DN	150Lb				300Lb				600Lb			
	L	D	D1	n-Φd	L	D	D1	n-Φd	L	D	D1	n-Φd
50	178	150	120.7	4-19	216	165	127	8-19	292	165	127	8-19
80	203	190	152.4	4-19	283	210	168.3	8-22	356	210	168.3	8-22
100	229	230	190.5	8-19	305	255	200	8-22	432	275	215.9	8-26
150	267	280	241.3	8-22	403	320	269.9	12-22	559	356	292.1	12-29
200	292	345	298.5	8-22	419	380	330.2	12-26	660	420	349.2	12-32
250	330	405	362	12-26	457	445	387.4	16-29	787	510	431.8	16-35
300	356	485	431.8	12-26	502	520	450.8	16-32	838	560	489	20-35
350	381	535	476.3	12-29	762	585	514.4	20-32	889	605	527	20-38
400	406	595	539.8	16-29	838	650	571.5	20-35	991	685	603	20-42
450	432	635	577.9	16-32	914	710	628.6	24-35	1092	745	654	20-45
500	457	700	635	20-32	991	775	685.8	24-35	1194	815	723.9	24-45
600	508	815	749.3	20-35	1143	915	812.8	24-42	1397	940	838.2	24-51

Note: 1. Other specifications and flange standards are available upon request.
 2. Design and specifications are subject to change without prior notice.



Executive standard

- 1、 Design and manufacture standard: GB/T12235
- 2、 Flange standard: GB/T9113、 JB/T79、 HG20592、 HG20615
- 3、 Test and inspection: JB/T9092

Performance standard

Size	15~400			mm
Pressure	1.6	2.5	4.0	MPa
Strength test	2.4	3.75	6.0	
Sealing test	1.76	2.75	4.4	
Suitable temperature	≤425℃			
Medium	Water, air, oil, acid and alkali corrosive medium etc.			

Purpose

This product is used for Oil, water, and steam pipeline in petroleum, chemicals and energy field, usually used as an open-close equipment for connecting or truncating pipeline medium.

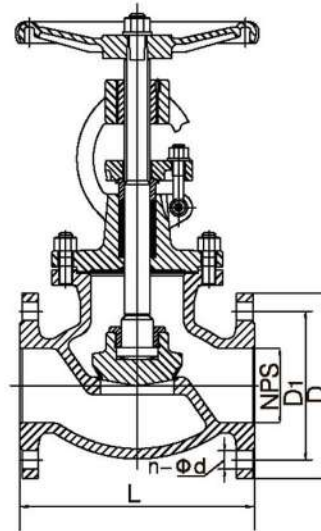
Main parts material

Title of part	Material
Body/Bonnet/Disc	Carbon steel、 Stainless steel
Stem	Stainless steel
Sealing face	Stainless steel、 Alloy steel
Stem nut	Aluminum bronze
Packing	PTFE、 Flexible graphite
Handwheel	Malleable iron、 Ductile iron

Main dimensions

DN	1.6MPa				2.5MPa				4.0MPa			
	L	D	D1	n-Φd	L	D	D1	n-Φd	L	D	D1	n-Φd
15	130	95	65	4-14	130	95	65	4-14	130	95	65	4-14
20	150	105	75	4-14	150	105	75	4-14	150	105	75	4-14
25	160	115	85	4-14	160	115	85	4-14	160	115	85	4-14
32	180	140	100	4-18	180	140	100	4-18	180	140	100	4-18
40	200	150	110	4-18	200	150	110	4-18	200	150	110	4-18
50	230	165	125	4-18	230	165	125	4-18	230	165	125	4-18
65	290	185	145	4-18	290	185	145	8-18	290	185	145	8-18
80	310	200	160	8-18	310	200	160	8-18	310	200	160	8-18
100	350	220	180	8-18	350	235	190	8-22	350	235	190	8-23
125	400	250	210	8-18	400	270	220	8-26	400	270	220	8-26
150	480	285	240	8-22	480	300	250	8-26	480	300	250	8-26
200	600	340	295	12-22	600	360	310	12-26	600	375	320	12-30
250	650	405	355	12-26	650	425	370	12-30	650	450	385	12-33
300	750	460	410	12-26	750	485	430	16-30	750	515	450	16-33
350	850	520	470	16-26	850	555	490	16-33	850	580	510	16-36
400	950	580	525	16-30	950	620	550	16-36	950	660	585	16-39

Note: 1. Other specifications and flange standards are available upon request.
 2. Design and specifications are subject to change without prior notice.



Purpose and Features

The product designed strictly in accordance with API standard, manufacture and acceptance; Compact structure, reliable seal, flexible operation; Applicable to petrochemical industry, electric power, metallurgy, textile and other industrial pipelines, used as shut off equipment.

Performance parameters

Size: DN50~DN300
 Suitable temperature: $\leq 425^{\circ}\text{C}$
 Suitable medium: Water, steam, oil
 Design standard: ANSI16.34
 Flange standard: ANSI 16.5
 structural length: ANSI 16.10
 Test standard: API 598

Test pressure

Test pressure(MPa)	Pressure grade		
	150Lb	300Lb	600Lb
Shell strength test	3.0	7.5	15.3
High pressure sealing test	2.2	5.5	10.5
Up seal test	2.2	5.5	10.5
Low pressure sealing test	Air 0.5-0.7		

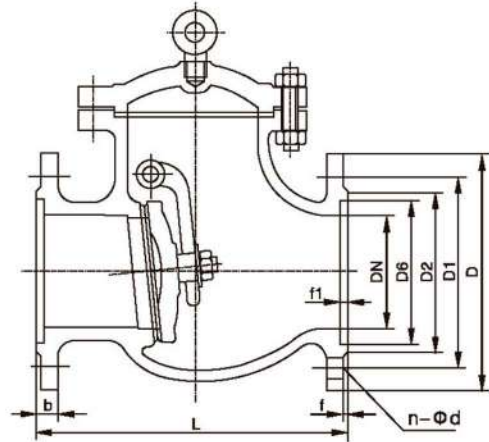
Main part materials

Name	Material	Name	Material
Body	Carbon steel	Disc	Carbon steel welding alloy steel
Bonnet	Carbon steel	Stem nut	copper alloy
Stem	Stainless steel	Handwheel	ductile iron

Main dimensions

DN	150Lb				300Lb				600Lb			
	L	D	D1	n-Φd	L	D	D1	n-Φd	L	D	D1	n-Φd
50	203	150	120.7	4-19	267	165	127	8-19	292	165	127	8-19
65	216	180	139.7	4-19	292	190	149.2	8-22	330	190	149.2	8-22
80	241	190	152.4	4-19	318	210	168.3	8-22	356	210	168.3	8-22
100	292	230	190.5	8-19	356	255	200	8-22	432	275	215.9	8-26
125	356	255	215.9	8-22	400	280	235	8-22	508	330	266.7	8-29
150	406	280	241.3	8-22	444	320	269.9	12-22	559	356	292.1	12-29
200	495	345	298.5	8-22	559	380	330.2	12-26	660	420	349.2	12-32
250	622	405	362	12-26	622	445	387.4	16-29	787	510	431.8	16-35
300	698	485	431.8	12-26	711	520	450.8	16-32	838	560	489	20-35

Note:1. Other specifications and flange standards are available upon request.
 2. Design and specifications are subject to change without prior notice.



Main performance parameters

Pressure	1.6	2.5	4.0	6.4
Shell strength test pressure	2.4	3.75	6.0	9.6
Sealing test (Liquid)	1.76	2.75	4.4	7.0
Sealing test (Gas)	0.6			
Suitable medium	WCB	CF8	CF8M	
	water,oil,steam	corrosive medium		
Suitable temperature	≤425	≤200	≤200	

Executive standard

Design and manufacture: GB/T12236
 Flange standard:JB/T79
 Structural length: GB/T12221
 Test and inspection: JB/T9092

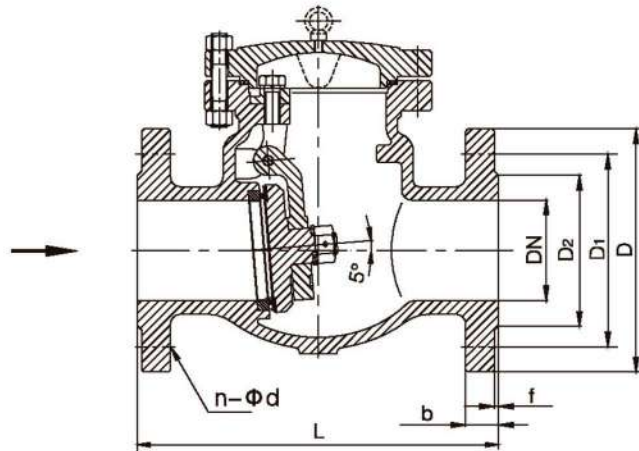
Main parts material

Title of part	Material
Body, Bonnet, disc	Carbon steel ,Stainless steel
Stem	Stainless steel
Sealing	Stainless steel, Hard alloy
Gasket	Flexible graphite

Main dimensions

DN	1.6MPa				2.5MPa				4.0MPa				6.4MPa			
	L	D	D1	n-Φd	L	D	D1	n-Φd	L	D	D1	n-Φd	L	D	D1	n-Φd
50	230	165	125	4-18	230	165	125	4-18	230	165	125	4-18	300	180	135	4-22
65	290	185	145	4-18	290	185	145	8-18	290	185	145	8-18	340	205	160	8-22
80	310	200	160	8-18	310	200	160	8-18	310	200	160	8-18	380	215	170	8-22
100	350	220	180	8-18	350	235	190	8-22	350	235	190	8-23	430	250	200	8-26
125	400	250	210	8-18	400	270	220	8-26	400	270	220	8-26	500	295	240	8-30
150	480	285	240	8-22	480	300	250	8-26	480	300	250	8-26	550	345	280	8-33
200	550	340	295	12-22	550	360	310	12-26	550	375	320	12-30	650	415	345	12-33
250	650	405	355	12-26	650	425	370	12-30	650	450	385	12-33	775	470	400	12-36
300	750	460	410	12-26	750	485	430	16-30	750	515	450	16-33	900	530	460	16-36
350	850	520	470	16-26	850	555	490	16-33	850	580	510	16-36	1025	600	525	16-39
400	950	580	525	16-30	950	620	550	16-36	950	660	585	16-39	1150	670	585	16-42
500	1150	715	650	20-33	1150	730	660	20-36	1150	755	670	20-42				

Note:1. Other specifications and flange standards are available upon request.
 2. Design and specifications are subject to change without prior notice.



Purpose

This valve mainly used for Petroleum, chemical, thermal power plant and other various industrial pipeline and water supply and drainage system, can be installed in the pump outlet, in order to prevent the medium backflow to the harm of pump. The valve can be mounted to the line pipe, prevent the backflow medium. Applicable medium: water, oil, steam, etc.

Performance parameters

Size: DN50~DN300
 Suitable temperature: $\leq 425^{\circ}\text{C}$
 Design standard: ANSI16.34
 Flange standard: ANSI 16.5
 structural length: ANSI 16.10
 Test standard: API 598

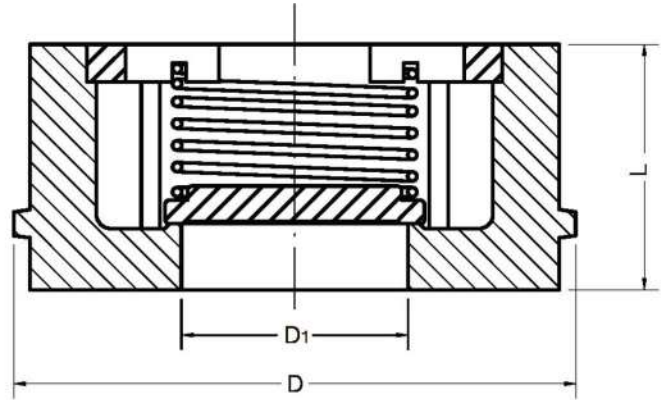
Performance range

Pressure	150Lb	300Lb	400Lb	600Lb	MPa
Strength test	3.0	7.5	10.0	16.5	
Sealing test	2.2	5.5	7.5	12.1	
Body Material	WCB(C)	CF8(P)	CF8M(R)	WC6、WC9(V)	
Suitable medium	Water, Steam, Oil		Acid, alkali and corrosive medium		Water, Steam

Main dimension

DN	150Lb				300Lb				600Lb			
	L	D	D1	n-Φd	L	D	D1	n-Φd	L	D	D1	n-Φd
50	203	152	120.5	4-19	267	165	127	8-19	292	165	127	8-19
65	216	178	139.5	4-19	292	190	150	8-22	330	190	150	8-22
80	241	229	190.5	4-19	318	210	168	8-22.5	356	210	168	8-22
100	292	229	190.5	8-19	356	254	200	8-22.5	432	273	216	8-25
150	356	279	241.5	8-22	445	317.5	269.7	12-22.5	559	356	292	8-29
200	495	343	298.5	8-22	533	381	330	12-25.5	660	419	349	12-29
250	622	406	362	12-25	622	444.5	387	16-28.5	787	508	432	12-32
300	699	483	432	12-25	711	512	451	16-32	838	559	489	16-35

Note: 1. Other specifications and flange standards are available upon request.
 2. Design and specifications are subject to change without prior notice.



Features

Stainless Steel One Piece Seat
Using Dewaxing Precision Casting

Standards

Size: DN15~DN125
Pressure: 1.6MPa, 2.5MPa, 4.0MPa, 150Lb, 300Lb, 600Lb
Suitable temperature: -20°C~425°C
Suitable medium: Water, oil, air
Design: ASME B16.34
Wall Thickness: ASME B16.34
Inspection & Testing: MSS SP-110, EN 12266

No.	Parts Name	Material	
1	Body	CF8M	CF8
2	Stop Cap	SUS316	SUS304
3	Spring	SUS304	
4	Disc	CF8M	CF8

Main dimension

DN	15	20	25	32	40	50	65	80	100	125
L	27	27	28	28	35	40	46	54	63	77
D	50	58	68	78	85	101	122	136	158	185
D1	15	19	25	31	38	48	60	70	91	117

Note: 1. Other specifications and flange standards are available upon request.
2. Design and specifications are subject to change without prior notice.

Address :

2020 Winston Park Dr,
Oakville, Ontario, Canada

Email : sales@cstreamvalves.com

Telp : +1 (647) 933-7377

www.cstreamvalves.com



**Canadian
Stream
Valve**

Contact Us: