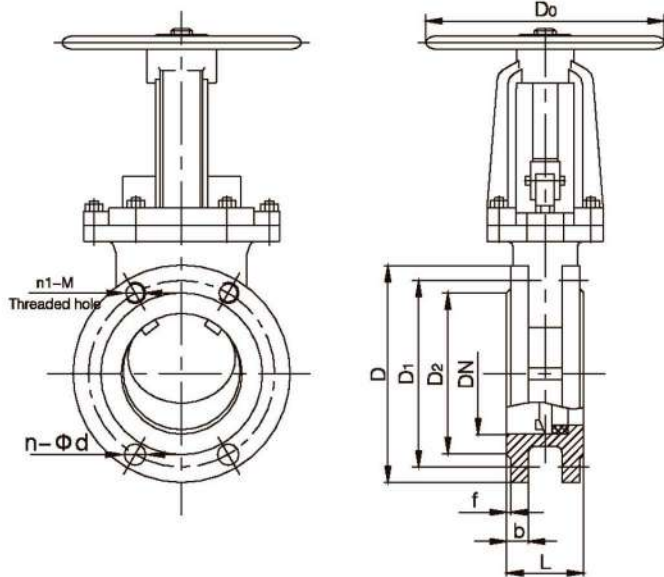




**Canadian
Stream
Valve**

KNIFE GATE VALVE



Purpose

Mainly used for slag, bug dust, paper pulp, sewage, asphalt, grout etc. transporting pipelines in industrial, mining, environmental protection, food etc. trades, acting at connecting and closing the pipeline.

Executive standard

Flange standard: GB/T 9113/ ANSI B16.5
 Test and inspection: GB/T 13927/ ANSI 598

Performance range

Pressure	1.0	1.6	150Lb	MPa
Strength test	1.5	2.4	3.0	
Sealing test	1.1	1.76	2.2	
Suitable temperature	PTFE≤200; Carbon steel≤425; Stainless steel≤600; Chrome-molybdenum-vanadium steel≤600			℃
Medium	Syrup, paper pulp, sewage, coal paste, lime-ash water etc.			

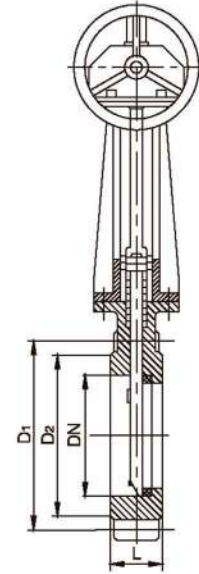
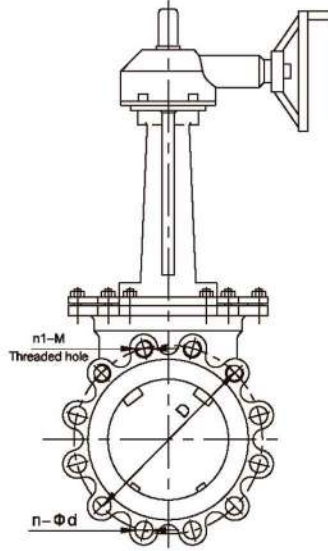
Main part materials

Title of part	Material
Body/Bonnet	Carbon steel, Stainless steel
Gate	Carbon steel, Stainless steel
Stem	Stainless steel
Sealing face	Rubber, PTFE, Stainless steel, Carbide alloy

Main connecting dimensoins

DN	50	65	80	100	125	150	200	250	300	350	400	450	500	600	700	800	900	
L	48	48	51	51	57	57	70	70	76	76	89	89	114	114	127	127	154	
D	PN10	165	185	200	220	250	285	340	395	445	505	565	615	670	780	895	1015	1115
	PN16	165	185	200	220	250	285	340	405	460	520	580	640	715	840	910	1025	1125
	150Lb	150	180	190	230	255	280	345	405	485	535	595	635	700	815			
D1	PN10	125	145	160	180	210	240	295	350	400	460	515	565	620	725	840	950	1050
	PN16	125	145	160	180	210	240	295	355	410	470	525	585	650	770	840	950	1050
	150Lb	120.7	139.7	152.4	190.5	215.9	241.3	298.5	362	431.8	476.3	539.8	577.9	635	749.3			
n-Φd	PN10	4-18	8-18	8-18	8-18	8-18	8-22	8-22	12-22	12-22	16-22	16-26	20-26	20-26	20-30	24-30	24-33	28-33
	PN16	4-18	4-18	8-18	8-18	8-18	8-22	12-22	12-26	12-26	16-26	16-30	20-30	20-33	20-36	24-36	24-39	28-39
	150Lb	4-19	4-19	4-19	8-19	8-22	8-22	8-22	12-26	12-26	12-29	16-29	16-32	20-32	20-35			

Note: 1. Other specifications and flange standards are available upon request.
 2. Design and specifications are subject to change without prior notice.



Purpose

Mainly used for slag, bug dust, paper pulp, sewage, asphalt, grout etc. transporting pipelines in industrial, mining, environmental protection, food etc. trades, acting at connecting and closing the pipeline.

Executive standard

Flange standard: GB/T 9113/ ANSI B16.5
 Test and inspection: GB/T 13927/ ANSI 598

Performance range

Pressure	1.0	1.6	150Lb	MPa
Strength test	1.5	2.4	3.0	
Sealing test	1.1	1.76	2.2	
Suitable temperature	PTFE≤200; Carbon steel≤425; Stainless steel≤600; Chrome-molybdenum-vanadium steel≤600			°C
Medium	Syrup, paper pulp, sewage, coal paste, lime-ash water etc.			

Main part materials

Title of part	Material
Body/Bonnet	Carbon steel、Stainless steel
Gate	Carbon steel、Stainless steel
Stem	Stainless steel
Sealing face	Rubber, PTFE, Stainless steel, Carbide alloy

Main connecting dimensoins

DN	50	65	80	100	125	150	200	250	300	350	400	450	500	600	700	800	900	
L	48	48	51	51	57	57	70	70	76	76	89	89	114	114	127	127	154	
D	PN10	165	185	200	220	250	285	340	395	445	505	565	615	670	780	895	1015	1115
	PN16	165	185	200	220	250	285	340	405	460	520	580	640	715	840	910	1025	1125
	150Lb	150	180	190	230	255	280	345	405	485	535	595	635	700	815			
D1	PN10	125	145	160	180	210	240	295	350	400	460	515	565	620	725	840	950	1050
	PN16	125	145	160	180	210	240	295	355	410	470	525	585	650	770	840	950	1050
	150Lb	120.7	139.7	152.4	190.5	215.9	241.3	298.5	362	431.8	476.3	539.8	577.9	635	749.3			
n-Φd	PN10	4-18	8-18	8-18	8-18	8-18	8-22	8-22	12-22	12-22	16-22	16-26	20-26	20-30	24-30	24-33	28-33	
	PN16	4-18	4-18	8-18	8-18	8-18	8-22	12-22	12-26	12-26	16-26	16-30	20-30	20-33	20-36	24-36	24-39	28-39
	150Lb	4-19	4-19	4-19	8-19	8-22	8-22	8-22	12-26	12-26	12-29	16-29	16-32	20-32	20-35			

Note: 1. Other specifications and flange standards are available upon request.
 2. Design and specifications are subject to change without prior notice.

Address :

2020 Winston Park Dr,
Oakville, Ontario, Canada

Email : sales@cstreamvalves.com

Telp : +1 (647) 933-7377

www.cstreamvalves.com



**Canadian
Stream
Valve**

Contact Us: